



HPY系列气动执行器

HPY Series Pneumatic Actuator



无锡市圣汉斯气动阀门执行器制造有限公司

WUXI ST.HANS PNEUMATIC VALVE ACTUATORS MAKER CO.,LTD.

地址: 无锡市新吴区梅村工业园锡鸿路 48 号 邮编 (P.C):214112

Add: No.48, Xihong Road, Meicun Industrial Park, Xinwu District,

Wuxi City, Jiangsu Province, China

电话 (Tel): 0086-510-81150880

传真 (Fax): 0086-510-81150880

Email: info@sthans.com.cn Website: <http://www.sthans.com>

我公司保留对产品样本中所有数据更改的权利。

Due to continuous development of our product range,
we reserve the right to after the dimensions and information contained in this catalogue as required.

无锡市圣汉斯气动阀门执行器制造有限公司

WUXI ST.HANS PNEUMATIC VALVE ACTUATORS MAKER CO.,LTD.

专注 专业 卓越

The Global Provider of Actuators 打造全球执行器及阀门附件专业供应商



20世纪90年代初，随着世界加工制造业向中国转移，无锡圣汉斯公司应运而生，诞生了圣汉斯的第一台执行器。经过近20年的艰苦奋斗、创新发展，圣汉斯集研发、制造、销售于一体，在国内外享誉盛名，成为专业一流的执行器及成套生产厂家之一。

圣汉斯品牌为“ALPHA”（阿尔法），现有产品如下：A系列不锈钢执行器、B系列铝合金执行器、RT系列、HPY系列拨叉式执行器、HPL系列活塞式直行程执行器、手轮机构、成套阀门、以及电磁阀、气控阀、减压阀等阀门控制附件。现有 $\phi 32 \sim \phi 1000$ 一百多个规格，推力从500N~500000N，扭矩从5Nm~300000Nm皆有覆盖。

公司于2010年初乔迁进入江南第一古镇梅村工业园区，新工厂累计投入资产这一亿元人民币。公司现有员工220多人，工厂占地面积3万平方米，年产执行机构30万台套，年销售额逾3亿元人民币。

公司本着“专注、专业、卓越”的核心理念，竭诚为新老客户提供更专注的服务，更专业的技术，更卓越的产品。

In the early 1990s, with the world's processing and manufacturing industry transferred to China, Wuxi St. Hans Company was born at the right moment, and the first St. Hans actuator was born. Through 20 years of hard work and plain living, innovation development, St. Hans has set researching, developing, manufacturing and selling in one, renowned at home and abroad, becoming one of professional and top-ranking manufacture factories of the actuator and its whole set.

St. Hans' brand is "ALPHA", and existing products are: A-series stainless steel actuators, B-series aluminium alloy actuators, RT-series aluminium alloy actuators, HPY-series fork-type actuators, HPL-series piston-type linear motion actuators, hand-wheel mechanisms, whole set valves and such valve control accessories as position switches, solenoid valves, air control valves, pressure reducing valves, etc. At present, there are more than 100 specifications of $\phi 32 \sim \phi 1000$, and the thrust covers 500N~500000N, also the torque covers 5Nm~300000Nm.

The Company moved to Meicun Village Industrial Park of the first old town in Jiangnan in the beginning of 2010. This new factory has an accumulated invested asset of 100 million RMB. There are more than 220 employees in the Company, and the factory covers an area of 30000 m². Yearly produced implementation mechanisms reach 300000 sets, and a yearly sale sum is more than 300 million RMB.

The Company, taking a core idea of "absorbed, professional and excellent", heart and soul provides new and regular customers with more absorbed service, more professional technologies, and more excellent products.



工欲善其事 必先利其器

Advanced Equipment 先进的生产设备

圣汉斯人知道，光有好的管理、好的理念、好的人才是不够的，还要有精良的设备才代表企业拥有强大的生产和检验能力，保证产品卓越的品质。我们引进了国际先进水平的生产加工设备，拥有高精度的数控机床、各类大型加工中心和专机设备，为产品质量和企业发展提供了有力保障。

St. Hans know that only good management, ideas and talents are not enough, also there shall be superior devices indicating that Company has powerful manufacture and testing abilities

and can ensure excellent quality of products. We have introduced manufacture and process devices of an international advanced level, having numerical control machine tool of high precision, various large process centers and special devices, which have provided strong guarantees for product quality and the Company's development.



注重细节 精益求精

Quality Assurance 完善的检测手段

圣汉斯一直坚持严格控制每一个环节、每一道工序，从设计研发到生产作业各个环节的质量状况。我们的检测系统流程从设计、选材、制造、组装到运行，每个环节都要经历苛刻的检测程序，将精度控制到最严密，将产品品质控制到最优异，对每一细微之处的精益求精，都控制到最完美，让客户在使用的同时，深切感受到圣汉斯严谨务实的品质宗旨.....

St. Hans has been strictly insisting in controlling every link and every process, also quality situations from designing, researching and developing to manufacture operation. Every link from designing, choosing materials, manufacturing, assembly to operation would experience strict testing procedures, in order to control the precision to be the strictest, to control the product quality to be the best, to control every detail by keeping improving to be the most perfect. Thus, when using our products, clients will feel deeply St. Hans' quality aim of being strict and practical.



开拓创新 永无止境

Elite Team 优秀的团队

圣汉斯视科技研发为企业生命力，深谙是人才团队的智慧成就了圣汉斯的品牌、品质，为使圣汉斯产品更趋完美，不吝重金聘请一批高级技术顾问和制造专业人士、高级工程师，加上生产工人孜孜以求的工作态度，注重每一个生产细节，从而形成了圣汉斯在强势品牌战略中最坚不可摧的堡垒。

圣汉斯不断自主创新，保证了新产品研发的质量和速度，在研发上填补了国内多项空白，为行业发展作出了令人瞩目的贡献。

St. Hans regards technology research and development as the Company's life, deeply knowing that talent group's wisdom has achieved St. Hans' brand and quality. In order to make St.Hans products perfected, the Company has employed a batch of senior technology counselors, manufacture experts, senior engineers regardless of a large sum of money, and with manufacture workers' diligent attitudes of paying attention to every manufacture detail, St. Hans' most unbreakable fortress has been formed in a powerful brand strategy.

St. Hans has been doing self-dependent innovation continuously, having ensured new products' quality and speed in research and development, filling in gaps in technologies in China, making an eye-catching contribution to industry development.



HPY系列气动执行器

HPY Series Pneumatic Actuator

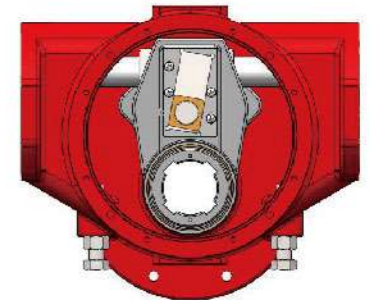
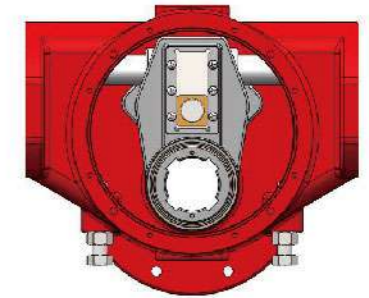
HPY系列拨叉式气动执行机构适用于90°行程阀门（如球阀、蝶阀、旋塞阀）的开关切断或计量控制，可结合各种附件实现工业过程自动控制。其原理是压缩空气进入气缸，推动活塞作直线运动，利用销轴与拨叉滑槽的传动结构将活塞的直线运动转化为拨叉的旋转运动，并带动输出轴转动，从而实现阀门的控制。

HPY scotch yoke pneumatic actuators are fit for turn-off or metering control of 90 ° valves (such as ball valves, butterfly valves and plug valves). It can realize automatic control of industrial process with various accessories. The principle is that compressed air enters the chamber to push the piston to do linear motion, and by transmission structures of the yoke pin and yoke groove, the piston's linear motion will be converted into the yoke's rotary motion, and drives the output shaft to rotate, thus achieving the control of the valve.



HPY系列拨叉式气动执行器有对称式和倾斜式两种类型，对应两种不同的扭矩输出特性。倾斜式的拨叉机构，具有非常高的启动扭矩，较低的运行扭矩，适合于蝶阀的控制；对称式的拨叉机构，具有更加平衡的扭矩曲线，主要适用于球阀、旋塞阀的控制。

There are two types of HPY scotch yoke pneumatic actuators: symmetrical and inclined, which correspond to two different torque output characteristics. The inclined yoke mechanism, with high starting torque and low operating torque is suitable for butterfly valve control; the symmetrical yoke mechanism, with more balanced torque curve is mainly suitable for ball valve, plug valve control.



我司生产的气动执行器广泛应用于石油和天然气、化工、炼油、纸浆和造纸、水处理、电厂等行业。

Our pneumatic actuators are widely used in petroleum and natural gas, chemical industry, oil refining, pulp and paper making, water treatment, power plants and other industries.



结构特点 Structure Features

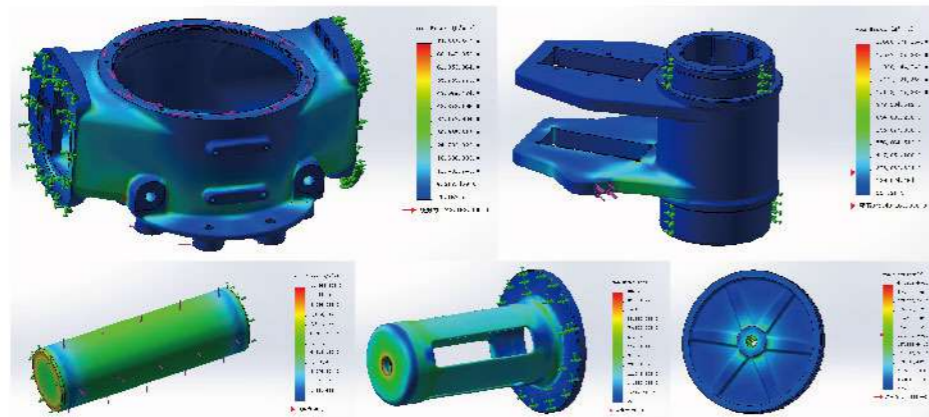
模块化设计 Modular Design

HPY系列执行机构，采用高度模块化的设计理念，分为缸筒模块（液压缸模块）、箱体模块和弹簧模块，简化现场配置；用户可根据实际使用需求，灵活选择动作方式和作用形式，互相性、通用性强，可以在不需要专用工具的情况下轻松实现单、双作用，手动操作等模块的组合和更换；气缸或者液压缸模块可以单侧配置，也可以双侧配置。

HPY series actuators adopt a highly modular design concept and are divided into cylinder module (hydraulic cylinder module), box module and spring module to simplify field configuration. Users can flexibly choose the mode of action according to the actual use requirements, with strong mutuality and universality. It can easily realize the combination and replacement of single and double acting, manual operation and other modules without the need of special tools. Cylinder or hydraulic cylinder module can be configured on one side or on both sides.

高精高强度, 内导向型设计

High Precision and High Strength with Inner Oriented Design



中心箱体及曲臂材质为球墨铸铁或铸钢，销轴材质为机械性能优越的合金钢，调节螺栓及箱体两侧法兰的紧固螺栓为12.9级，确保了足够的强度；箱体由高精卧式加工中心四面一次成型制成，传动精度高；内导向型和小缸径大偏心的工业美术设计，整体结构紧凑，造型优美协调，提高扭矩重量比。

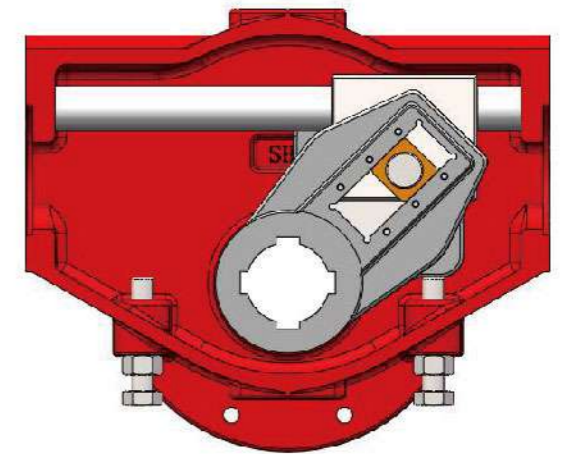
The center body and yoke are made of ductile iron or cast steel, the yoke pin is made of alloy steel with excellent mechanical performance, and the adjustment bolts and fastening bolts of flange on both sides of the center body are of class 12.9 to ensure sufficient strength. The processing of the center body is one-step molding on four sides by high precision horizontal machining center for high transmission accuracy.

销轴的平面传动结构

Yoke Pin's Plane Transmission Structure

销轴传动配置方形铜滑块结构，传递平稳，与拨叉的面接触可更好地保护工作面，延长使用寿命，铝青铜滑块的耐磨和自润滑性，有效提升传递效率。

The transmission of the yoke pin is equipped with square copper slider structure, which ensures smooth transmission. The surface contact with the yoke can better protect the working face and extend the service life. The wear resistance and self-lubrication of aluminum bronze sliders can effectively improve the transmission efficiency.

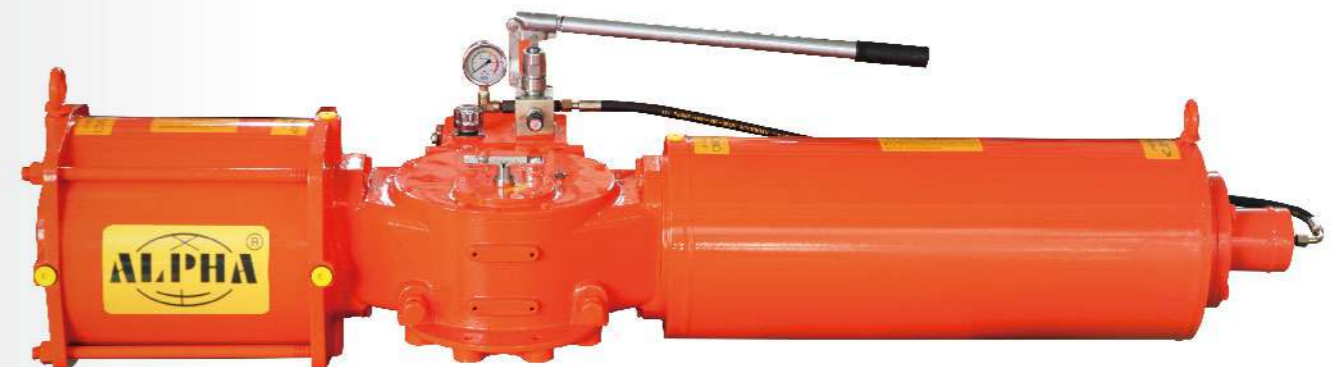


气源接口前置, 起吊孔顶置

Air connection in the front, lifting hole on the top.

气源接口前后对称分布，便于附件面板的安装和管路的连接，两只气口可满足客户对于动作速度的需求，并提供多种管螺纹的气源接口；吊环螺钉按整体重心分段设置，便于执行机构的吊装，吊环螺钉采用达克罗工艺防腐亮化处理，外形美观，操作简单方便。

Air connections are spread in the front and in the back symmetrically, convenient for installing attachment panels and connecting pipelines. Two air connections can meet clients' demands for motion speeds. A variety of air interfaces for pipe threads are available. The lifting rings are set according to the whole center of gravity, which is convenient for the lifting of the actuator. The rings are treated with dacrose anti-corrosion and lighting process.





性能特点

Performance and Features

工作介质和压力

Working Media and Pressure

工作介质一般为干燥压缩空气、惰性气体或抗磨液压油。
当介质为气体时

气缸工作压力: 3-10bar

最大使用压力: 10bar

推荐使用压力: 4-6bar

当介质为液体时请咨询本公司

The working medium is usually dry compressed air, inert gas or anti-wear hydraulic oil.

When the working medium is gas

Working pressure: 3-10bar

Maximum service pressure: 10bar

Recommended pressure: 4-6bar

Please consult our company when the medium is liquid.

工作温度及密封性能

Working Temperature and Sealing Performance

工作温度:

标准 -20°C - +80°C

高温 -20°C - +150°C

低温 -40°C - +80°C

Operating temperatures:

Standard -20°C to +80°C

High Temperature -20°C to +150°C

Low Temperature -40°C to +80°C

缸筒内壁和活塞杆表面珩磨并镀硬铬处理, 结合星形圈的动态密封设计, 大大提高产品的密封性能。

The cylinder inner wall and piston rod surface honing and hard chrome plating, combined with the dynamic sealing design of star ring, greatly improve the sealing performance of the product.

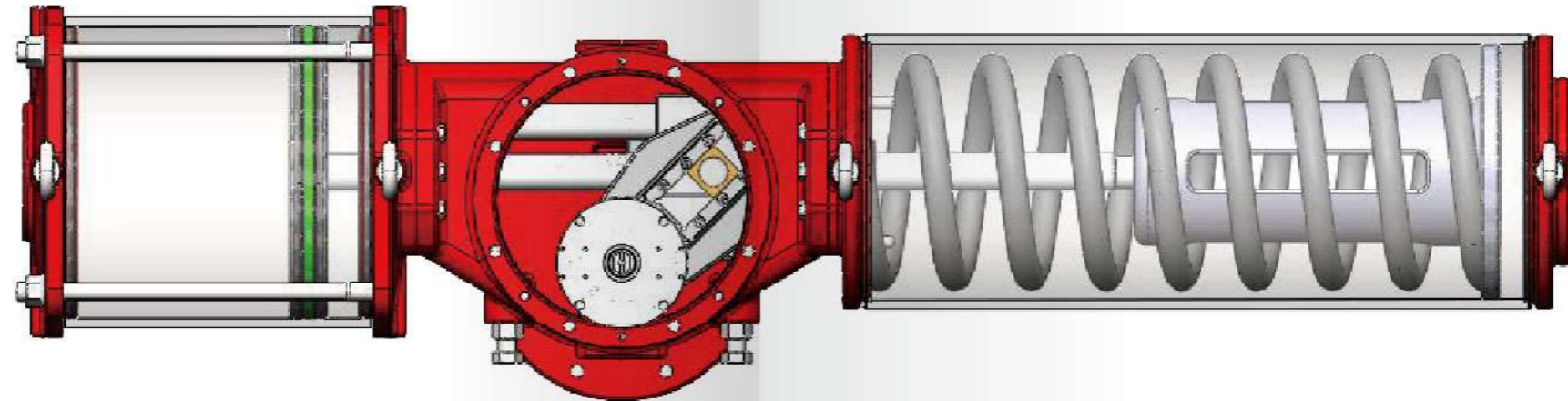
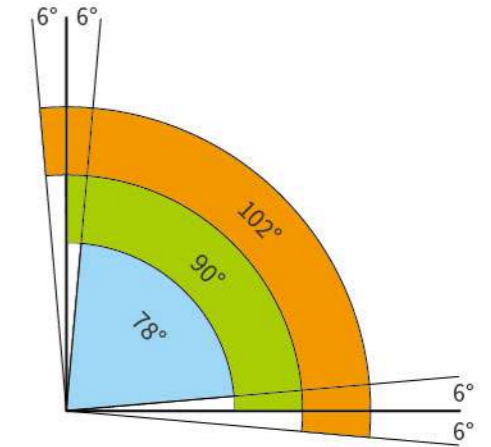


行程及调节范围

A Route and an Adjusting Scale

标准行程0-90°, 可为用户定制0-60°等非标行程; 两个极限位置独立的调节螺栓可方便进行±6°调节, 可为用户定制全行程可调; 通过增加辅助腔室, 可为用户定制三位式结构, 实现0-30°-90°可调或其他中间角度的需求。

Standard stroke 0-90°, 0-60° and other non-standard stroke can be customized; Bi-directional travel stops, adjustable from -6° to 96°. Full stroke adjustable can be customized. By adding auxiliary Chambers, the three-position structure can be customized to achieve the requirements of 0-30°-90° adjustable or other intermediate angles.

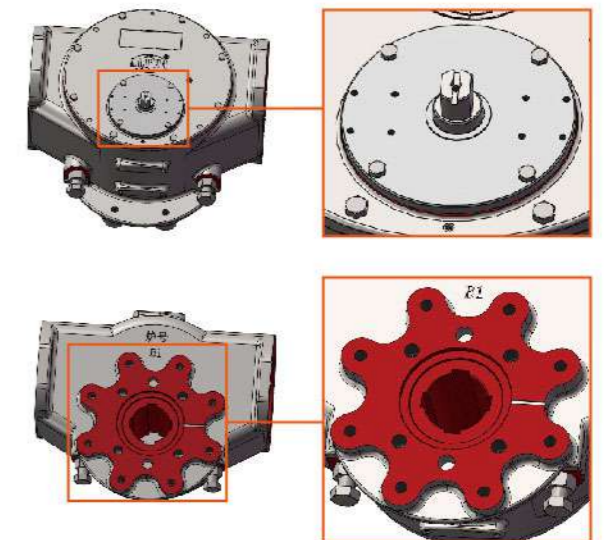


标准化的输出尺寸

Standard Interface

输出轴头符合NAMUR标准, 便于位置开关、定位器等附件的安装; 箱体底部与阀门连接的法兰严格按ISO5211标准执行, 同时设置有定位止口、防转销孔及排水槽结构。

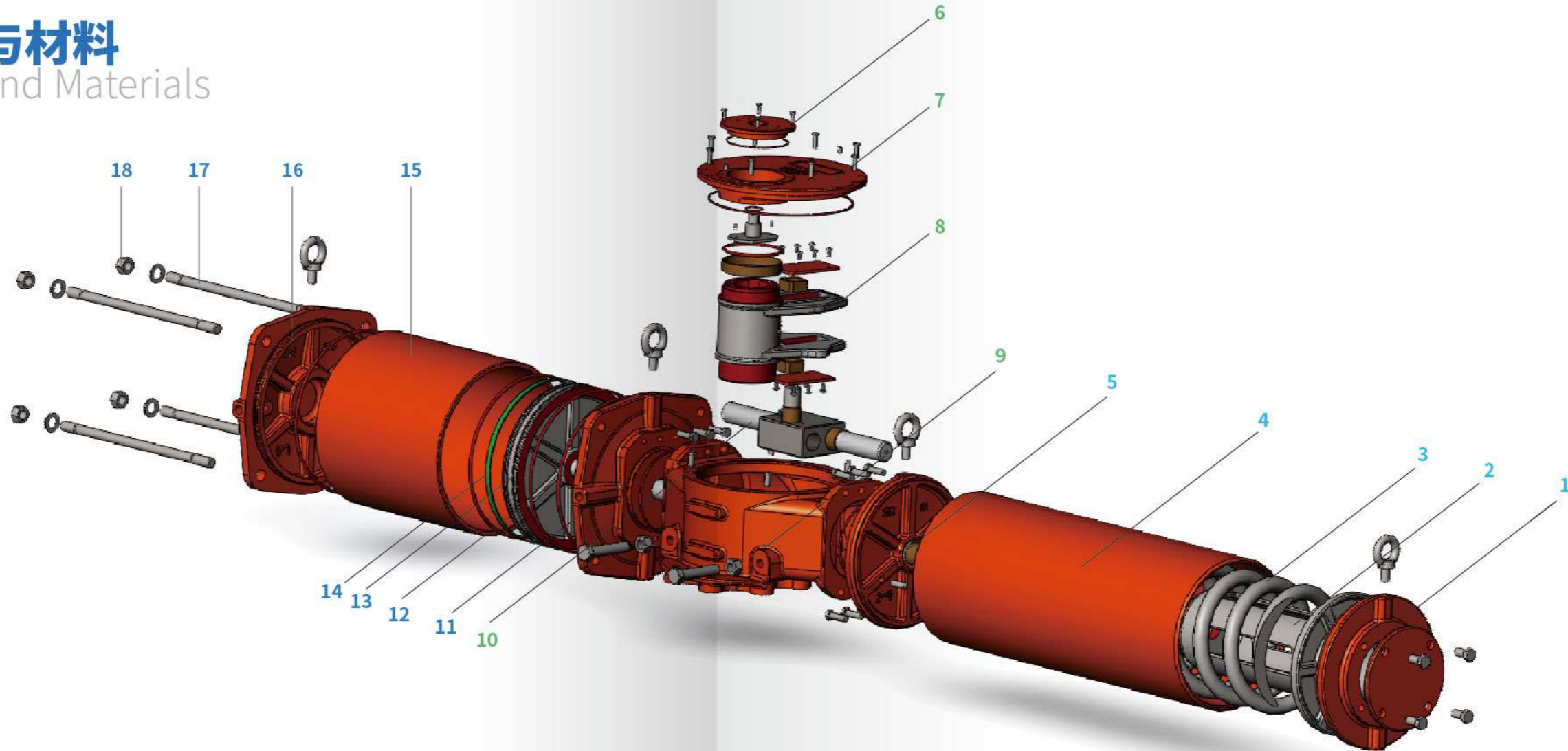
Output shaft conforms to NAMUR standard, which facilitates the installation of limit switch, positioner and other accessories; the flange is strictly in accordance with ISO5211 standard. It's equipped with anti-rotating pin hole, drainage channel.





零件与材料

Parts and Materials



弹簧筒模块 Spring Module

项目号	零件号 Name	数量 Qty.	材料 Material
1	弹簧盖 Flange Cap	1	碳钢 Carbon Steel
2	弹簧座 Spring Seat	1	碳钢 Carbon Steel
3	弹簧 Spring	1	弹簧钢 Spring Steel
4	弹簧筒 Spring Body	1	碳钢 Carbon Steel
5	弹簧杆 Spring Stem	1	合金钢 Alloy Steel

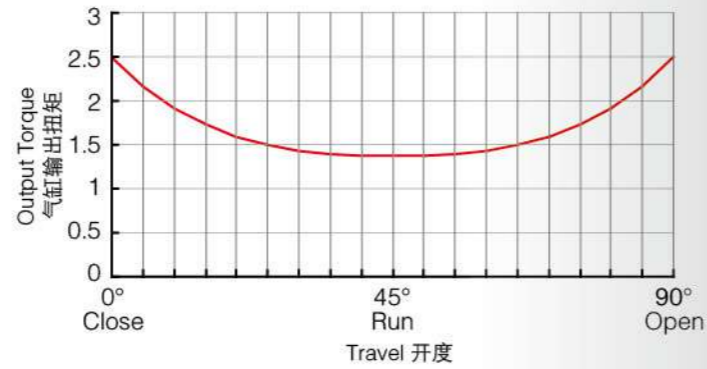
箱体模块 Centre Body Module

项目号	零件号 Name	数量 Qty.	材料 Material
6	盖板组件 Indicator	1	碳钢 Carbon Steel
7	箱盖 Centre Body Cap	1	球墨铸铁 Ductile Iron
8	拨叉 Yoke	1	球墨铸铁 Ductile Iron
9	箱体 Centre Body	1	球墨铸铁 Ductile Iron
10	导向传动组件 Drive Mechanism	1	合金钢 Alloy Steel

气缸模块 Cylinder Modular

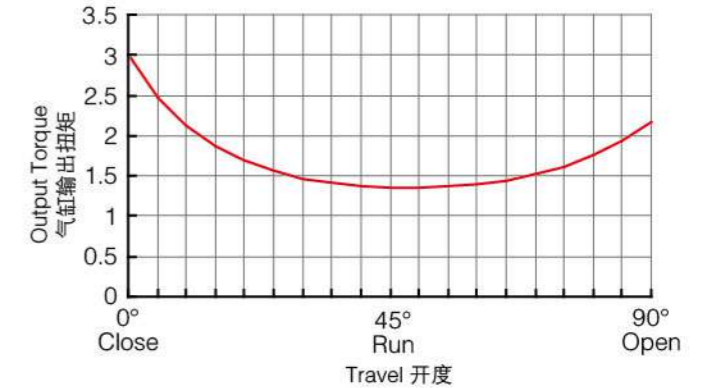
项目号	零件号 Name	数量 Qty.	材料 Material
11	后缸盖 Cylinder Seat	1	球墨铸铁 Ductile Iron
12	活塞O形圈 O-Ring	1	耐油橡胶 Rubber
13	活塞 Piston	1	球墨铸铁 Ductile Iron
14	导向带 Guide Ring	1	合成树脂 Resin
15	缸筒 Cylinder Tube	1	碳钢 Carbon Steel
16	前缸盖 Front Cylinder Cap	1	球墨铸铁 Ductile Iron
17	等长双头螺柱 Double and Stud	n	碳钢 Carbon Steel
18	六角螺母 Nut	n	碳钢 Carbon Steel

HPY-B系列气动执行器 双作用输出扭矩 Output Torque of HPY-B Series Double Acting Actuator



Model	3.5 Bar			4 Bar			5 Bar			6Bar		
	0°	45°	90°	0°	45°	90°	0°	45°	90°	0°	45°	90°
HPY-B06-201-DA	1272	672	1272	1454	768	1454	1817	960	1817	2181	1152	2181
HPY-B08-221-DA	2013	1063	2013	2301	1215	2301	2876	1519	2876	3451	1822	3451
HPY-B08-251-DA	2600	1373	2600	2971	1569	2971	3713	1961	3713	4456	2353	4456
HPY-B1-281-DA	3836	2026	3836	4384	2315	4384	5481	2894	5481	6576	3473	6576
HPY-B1-321-DA	5011	2646	5011	5726	3024	5726	7157	3780	7157	8589	4536	8589
HPY-B1-351-DA	5994	3165	5994	6850	3618	6850	8563	4522	8563			
HPY-B2-351-DA	7193	3799	7193	8220	4341	8220	10275	5426	10275	12330	6511	12330
HPY-B2-401-DA	9395	4961	9395	10737	5670	10737	13421	7088	13421	16105	8505	16105
HPY-B2-451-DA	11890	6279	11890	13589	7176	13589	16986	8970	16986			
HPY-B3-451-DA	14367	7587	14367	16420	8671	16420	20524	10839	20524	24630	13007	24630
HPY-B3-501-DA	17737	9367	17737	20272	10705	20272	25339	13381	25339	30407	16058	30407
HPY-B3-561-DA	22250	11750	22250	25428	13428	25428	31785	16786	31785	38142	20142	38142
HPY-B3-601-DA	25541	13488	25541	29190	15415	29190	36488	19269	36488			
HPY-B4-561-DA	26853	14181	26853	30689	16207	30689	38362	20258	38362	46033	24310	46033
HPY-B4-601-DA	30826	16279	30826	35230	18604	35230	44037	23256	44037	52845	27907	52845
HPY-B4-631-DA	33986	17947	33986	38840	20511	38840	48551	25639	48551	58261	30767	58261
HPY-B4-701-DA	41958	22158	41958	47951	25323	47951	59940	31654	59940			
HPY-B4-502-DA	42814	22610	42814	48930	25840	48930	61163	32299	61163			
HPY-B4-562-DA	53706	28362	53706	61378	32413	61378						
HPY-B4-801-DA	54802	28940	54802	62631	33075	62631						
HPY-B5-701-DA	49869	26336	49869	56994	30098	56994	71243	37623	71243	85491	45147	85491
HPY-B5-562-DA	63833	33710	63833	72952	38525	72952	91190	48157	91190	109428	57788	109428
HPY-B5-801-DA	65136	34398	65136	74441	39312	74441	93051	49139	93051	111662	58968	111662
HPY-B5-602-DA	73278	38697	73278	83746	44226	83746	104683	55282	104683	125619	66338	125619
HPY-B5-632-DA	80789	42664	80789	92330	48759	92330	115413	60948	115413			
HPY-B5-901-DA	82438	43535	82438	94215	49754	94215	117768	62192	117768			
HPY-B5-702-DA	99740	52671	99740	113988	60196	113988						
HPY-B5-1001-DA	101775	53746	101775	116314	61424	116314						
HPY-B6-901-DA	110974	58604	110974	126828	66976	126828	158534	83720	158534	190230	100459	190230
HPY-B6-702-DA	134265	70904	134265	153446	81033	153446	191807	101291	191807	230168	121550	230168
HPY-B6-1001-DA	137005	72351	137005	156577	82687	156577	195722	103359	195722	234866	124030	234866
HPY-B6-802-DA	175366	92609	175366	200418	105839	200418	250523	132298	250523			
HPY-B6-902-DA	221948	117209	221948	253654	133952	253654						

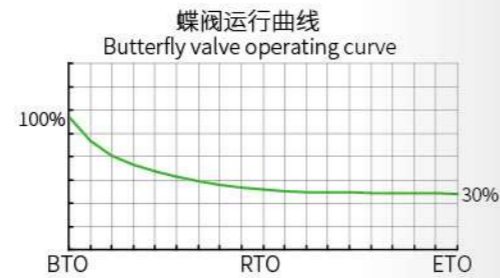
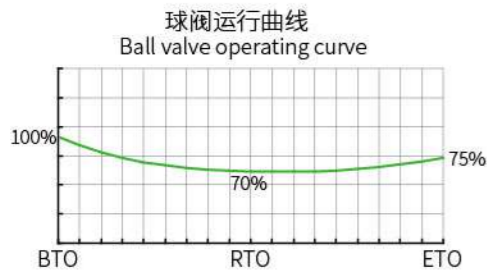
HPY-C系列气动执行器 双作用输出扭矩 Output Torque of HPY-C Series Double Acting Actuator



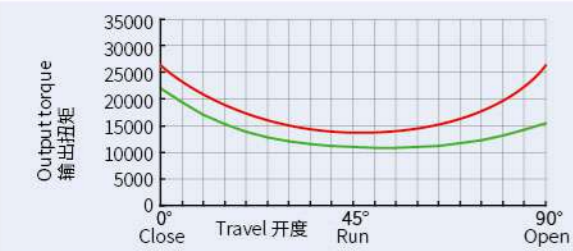
Model	3.5 Bar			4 Bar			5 Bar			6Bar		
	0°	45°	90°	0°	45°	90°	0°	45°	90°	0°	45°	90°
HPY-C06-201-DA	1531	661	1073	1750	756	1227	2187	944	1534			
HPY-C08-221-DA	2422	1046	1698	2768	1195	1941	3460	1495	2426	4152	1794	2912
HPY-C08-251-DA	3128	1351	2193	3575	1544	2506	4468	1930	3133			
HPY-C1-281-DA	4616	1993	3236	5275	2278	3699	6594	2848	4624	7914	3418	5548
HPY-C1-321-DA	6030	2604	4228	6891	2976	4831	8614	3719	6039			
HPY-C1-351-DA	7213	3114	5057	8243	3559	5780						
HPY-C2-351-DA	8655	3738	6069	9892	4272	6936	12364	5340	8669	14838	6407	10403
HPY-C2-401-DA	11305	4882	7926	12920	5580	9058	16149	6975	11323	19380	8369	13588
HPY-C2-451-DA	14308	6179	10032	16352	7061	11465						
HPY-C3-451-DA	17288	7466	12122	19759	8533	13853	24698	10666	17317	29638	12799	20779
HPY-C3-501-DA	21344	9218	14965	24393	10534	17103	30491	13167	21379	36589	15801	25654
HPY-C3-561-DA	26774	11563	18772	30599	13214	21454						
HPY-C3-601-DA	30735	13273	21549	35126	15169	24628						
HPY-C4-561-DA	32313	13955	22655	36929	15948	25892	46162	19935	32365	55394	23922	38839
HPY-C4-601-DA	37094	16019	26007	42393	18308	29723	52992	22885	37154	63590	27461	44585
HPY-C4-631-DA	40897	17661	28673	46739	20184	32770	58423	25230	40962			
HPY-C4-701-DA	50489	21804	35400	57702	24919	40457						
HPY-C4-502-DA	51519	22249	36122	58880	25427	41282						
HPY-C5-701-DA	60010	25916	42067	68583	29618	48086	85730	37022	60107	102875	44427	72128
HPY-C5-562-DA	76814	33171	53856	87787	37910	61550	109733	47389	76937	131680	56865	92325
HPY-C5-801-DA	78381	33849	54955	89578	38684	62805	111973	48355	78507	134367	57101	94208
HPY-C5-602-DA	88179	38079	61824	100775	43519	70656	125969	54400	88320			
HPY-C5-632-DA	97216	41983	68161	111105	47981	77899						
HPY-C5-901-DA	99201	42840	69553	113372	48960	79488						
HPY-C6-801-DA	105512	45566	73978	120586	52075	84546	150732	65093	105682	180879	78113	126819
HPY-C6-901-DA	133539	57669	93629	152616	65907	107004	190771	82384	133754	228925	98861	160505
HPY-C6-702-DA	161566	69773	113278	184647	79740	129461	230809	99675	161827			
HPY-C6-1001-DA	164863	71196	115590	188416	81368	132103	235519	101709	165129			
HPY-C6-802-DA	211025	91131	147955	241171	104150	169092						

选型 Sizing

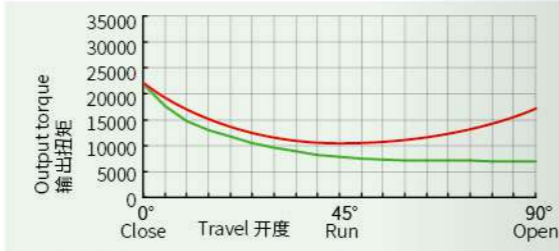
在执行器的选型过程中，如果能够了解阀门在选型、运行过程所需扭矩的状况，我们就可以更加经济、更加合理地选配执行器。
During selecting the actuators, we can choose the more reasonable and more economical actuators, if we know the different torque needed by the valve working at opening and operating.



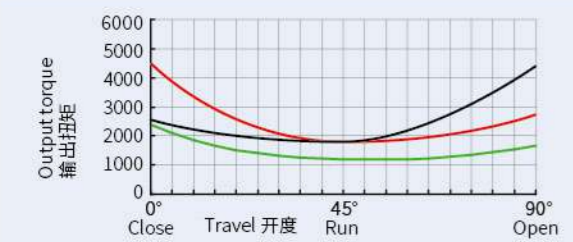
■ 弹簧复位运行曲线 Spring return operating curve
■ 执行器运行曲线 Air to spring operating curve
■ 球阀(蝶阀)运行曲线 Ball valve (butterfly valve) operating curve



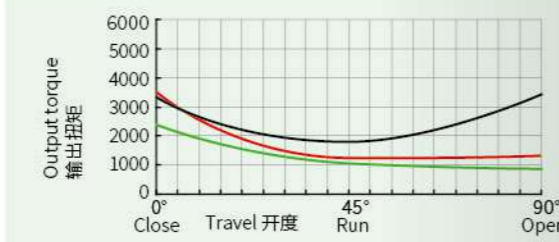
球阀选型扭矩为: 22000Nm
Air Supply: 4 Bar
选型结果: HPY-B3-561-DA
BTO of the ball valve is: 22000Nm
Air Failure Position: Lock
Sizing: HPY-B3-561-DA



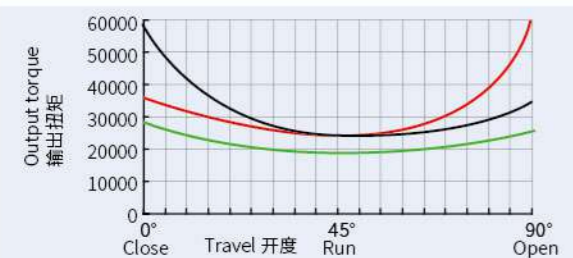
蝶阀选型扭矩为: 22000Nm
Air Supply: 4 Bar
选型结果: HPY-C3-501-DA
BTO of the butterfly valve is: 22000Nm
Air Failure Position: Lock
Sizing: HPY-C3-501-DA



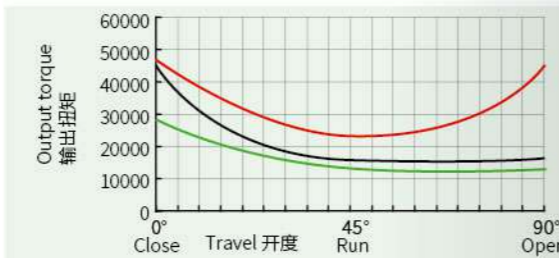
球阀选型扭矩为: 2400Nm
Air Supply: 4 Bar
选型结果: HPY-B1-351-SRC4
BTO of the ball valve is: 2400Nm
Air Failure Position: Close
Sizing: HPY-B1-351-SRC4



蝶阀选型扭矩为: 2400Nm
Air Supply: 4 Bar
选型结果: HPY-C1-321-SRC4
BTO of the butterfly valve is: 2400Nm
Air Failure Position: Close
Sizing: HPY-C1-321-SRC4

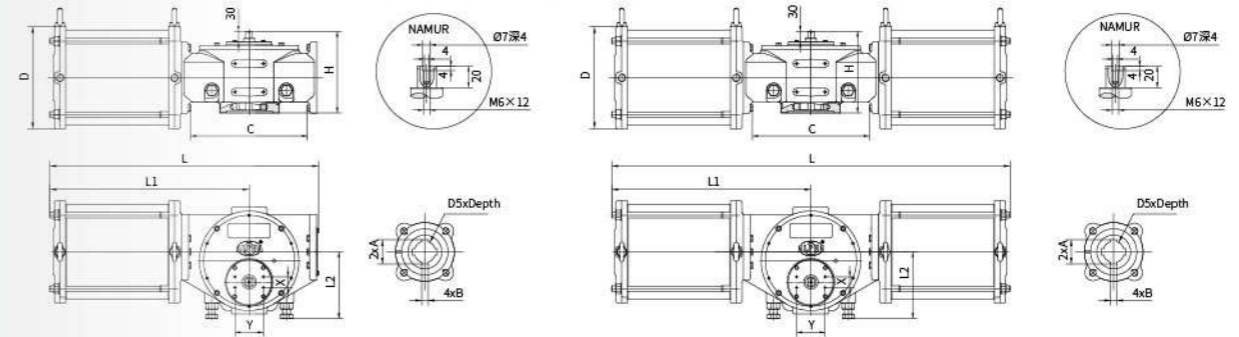


球阀选型扭矩为: 29000Nm
Air Supply: 4 Bar
选型结果: HPY-B5-901-SRO4
BTO of the ball valve is: 29000Nm
Air Failure Position: Open
Sizing: HPY-B5-901-SRO4



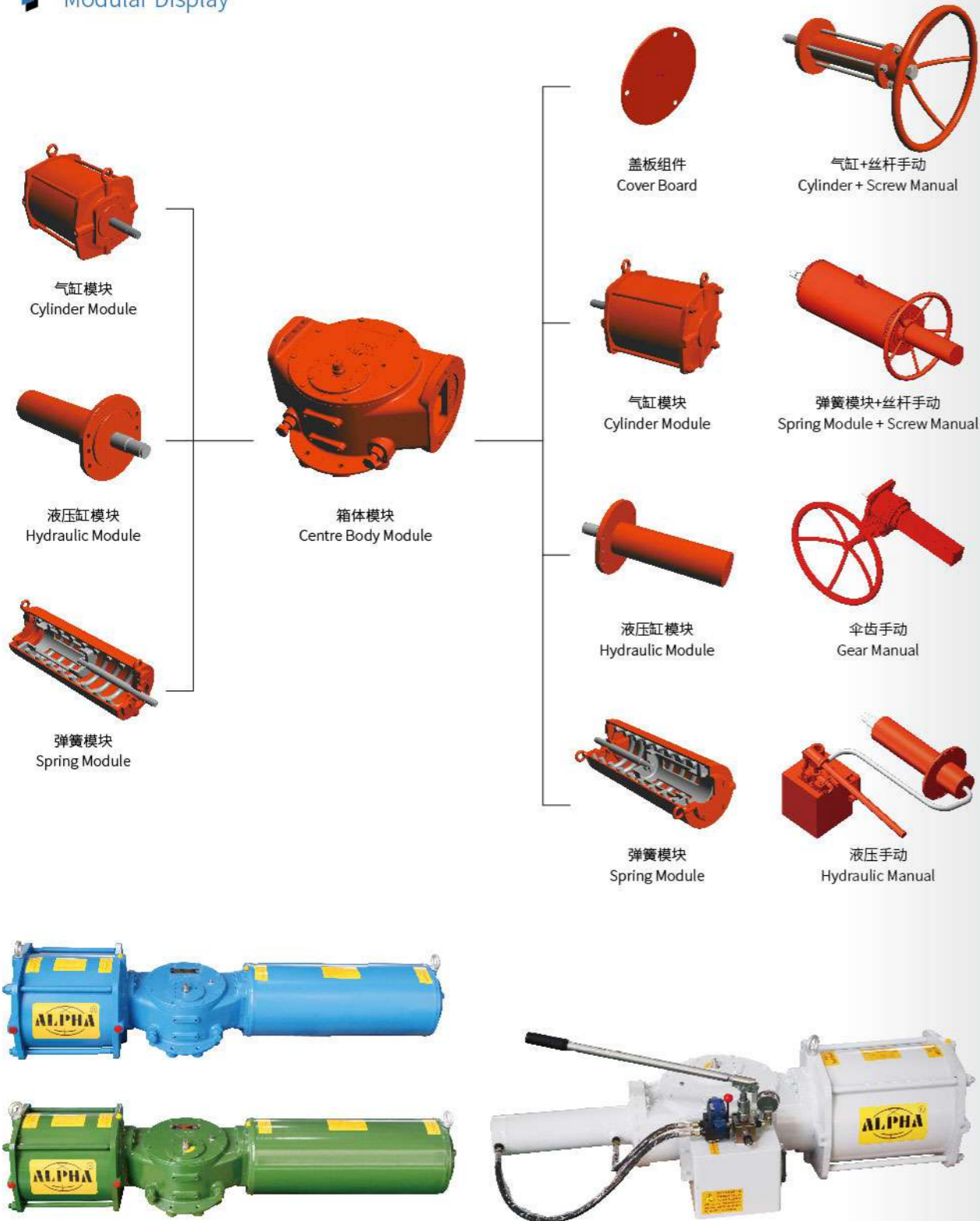
蝶阀选型扭矩为: 29000Nm
Air Supply: 4 Bar
选型结果: HPY-C5-801-SRO4
BTO of the butterfly valve is: 29000Nm
Air Failure Position: Open
Sizing: HPY-C5-801-SRO4

HPY-B/C系列双作用执行器外形尺寸 Dimension of HPY-B/C Series Double Acting Actuator

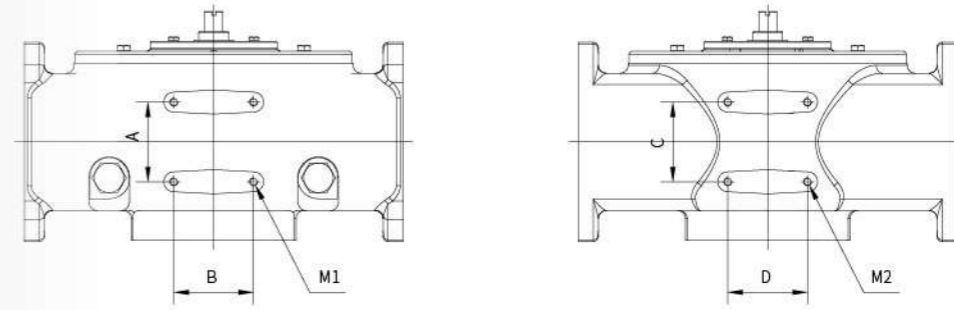


型号 Model	L	L1	E	F	G	H	D5	A	B	X×Y	连接法兰	气源接口
	mm											
HPY-B/C06-201-DA	645	470	100	285	270	35	Ø48×65	55.6	14	30×80	F14	3/8"NPT(G)
HPY-B/C08-221-DA	765	565	110	320	320	35	Ø60×100	68.8	18	30×80	F16	1/2"NPT(G)
HPY-B/C08-251-DA	765	565	110	335	320	50	Ø60×100	68.8	18	30×80	F16	1/2"NPT(G)
HPY-B/C1-281-DA	900	660	155	420	380	65	Ø72×120	81.8	20	30×80/130	F25/F16	1/2"NPT(G)
HPY-B/C1-321-DA	900	670	155	435	380	80	Ø72×120	81.8	20	30×80/130	F25/F16	1/2"NPT(G)
HPY-B/C1-351-DA	910	680	155	460	380	100	Ø72×120	81.8	20	30×80/130	F25/F16	3/4"NPT(G)
HPY-B/C2-351-DA	1060	785	180	505	455	90	Ø100×150	112.8	28	30×80/130	F30/F25	3/4"NPT(G)
HPY-B/C2-401-DA	1070	790	180	525	455	115	Ø100×150	112.8	28	30×80/130	F30/F25	1"NPT(G)
HPY-B/C2-451-DA	1085	805	180	560	455	150	Ø100×150	112.8	28	30×80/130	F30/F25	1"NPT(G)
HPY-B/C3-451-DA	1280	945	210	620	570	120	Ø160×200	178.8	40	30×80/130	F35/F30	1"NPT(G)
HPY-B/C3-501-DA	1280	945	210	645	570	150	Ø160×200	178.8	40	30×80/130	F35/F30	1"NPT(G)
HPY-B/C3-561-DA	1280	960	210	680	570	180	Ø160×200	178.8	40	30×80/130	F35/F30	1"NPT(G)
HPY-B/C3-601-DA	1280	935	210	710	570	215	Ø160×200	178.8	40	30×80/130	F35/F30	1"NPT(G)
HPY-B/C4-561-DA	1450	1050	240	740	650	160	Ø180×220	200.8	45	30×80/130	F40	1"NPT(G)
HPY-B/C4-601-DA	1470	1080	240	770	650	190	Ø180×220	200.8	45	30×80/130	F40	1"NPT(G)
HPY-B/C4-631-DA	1470	1080	240	790	650	205	Ø180×220	200.8	45	30×80/130	F40	1"NPT(G)
HPY-B/C4-701-DA	1500	1105	240	820	650	240	Ø180×220	200.8	45	30×80/130	F40	1 1/2"NPT(G)
HPY-B4-801-DA	1500	1105	240	910	650	290	Ø180×220	200.8	45	30×80/130	F40	1 1/2"NPT(G)
HPY-B/C4-502-DA	2120	1060	240	705	650	125	Ø180×220	200.8	45	30×80/130	F40	1"NPT(G)
HPY-B4-562-DA	2120	1050	240	740	650	160	Ø180×220	200.8	45	30×80/130	F40	1"NPT(G)
HPY-B/C5-701-DA	1800	1305	290	930	890	205	Ø220×250	242.8	50	30×130	F48/F40	1 1/2"NPT(G)
HPY-B/C5-801-DA	1800	1305	290	980	890	255	Ø220×250	242.8	50	30×130	F48/F40	1 1/2"NPT(G)
HPY-B/C5-901-DA	1820	1325	290	1030	890	305	Ø220×250	242.8	50	30×130	F48/F40	2"NPT(G)
HPY-B5-1001-DA	1820	1325	290	1080	890	355	Ø220×250	242.8	50	30×130	F48/F40	2"NPT(G)
HPY-B/C5-562-DA	2630	1315	290	855	890	135	Ø220×250	242.8	50	30×130	F48/F40	1"NPT(G)
HPY-B/C5-602-DA	2630	1315	290	875	890	155	Ø220×250	242.8	50	30×130	F48/F40	1"NPT(G)
HPY-B/C5-632-DA	2630	1315	290	890	890	170	Ø220×250	242.8	50	30×130	F48/F40	1"NPT(G)
HPY-B5-702-DA	2630	1315	290	930	890	205	Ø220×250	242.8	50	30×130	F48/F40	1 1/2"NPT(G)
HPY-B/C6-801-DA	2200	1560	350	1040	1000	255	Ø280×320	304.8	63	30×130	F60/F48	1 1/2"NPT(G)
HPY-B/C6-901-DA	2200	1560	350	1090	1000	305	Ø280×320	304.8	63	30×130	F60/F48	2"NPT(G)
HPY-B/C6-1001-DA	2200	1560	350	1140	1000	355	Ø280×320	304.8	63	30×130	F60/F48	2"NPT(G)
HPY-B/C6-702-DA	3100	1560	350	990	1000	205	Ø280×320	304.8	63	30×130	F60/F48	1 1/2"NPT(G)
HPY-B/C6-802-DA	3100	1560	350	1040	1000	255	Ø280×320	304.8	63	30×130	F60/F48	1 1/2"NPT(G)
HPY-B6-902-DA	3100	1560	350	1090	1000	305	Ø280×320	304.8	63	30×130	F60/F48	2"NPT(G)

模块化展示
Modular Display



箱体连接尺寸
Body Connecting Dimension



箱体型号	A×B	C×D	螺纹孔 M1	螺纹孔 M2
B06/C06	60×60	60×60	4-M8×16	4-M8×16
B08/C08	80×80	80×80	4-M8×16	4-M8×16
B1/C1	80×80	80×80	4-M8×16	4-M8×16
B2/C2	80×80	80×80	4-M8×16	4-M8×16
B3/C3	100×100	100×100	4-M10×18	4-M10×18
B4/C4	100×100	100×100	4-M10×18	4-M10×18
B5/C5	130×130	130×130	4-M12×18	4-M12×18
B6/C6	130×130	130×130	4-M12×18	4-M12×18

订购信息
How to Order

UNIT 单元	1	2	3	4	5	6	7	8	Product code
CONTENT 内容	Series 系列	Structure 结构	Body 箱体	Cylinder 气缸	Acting Type 动作形式	Spring 弹簧规格	Manual 手动方式	Specific Requirements 特殊要求	HPY-C1-281
CODE 代号	HP	Y	C1	281	SR	O4	HM	LT	-SRO4+HM+LT
EXAMPLE 示例	HP	Y	C1	281	SR	O4	HM	LT	



合作伙伴
Our Partners



资质证书
Qualification Certificate

