



PNEUMATIC ACTUATORS ALPHA C 气动执行器



无锡市圣汉斯气动阀门执行器制造有限公司

WUXI ST.HANS PNEUMATIC VALVE ACTUATORS MAKER CO.,LTD.

地址: 无锡市新吴区梅村工业园锡鸿路 48 号 邮编 (P.C):214112

Add: No.48, Xihong Road, Meicun Industrial Park, Xinwu District, Wuxi City, Jiangsu Province, China

电话 (Tel): 0086-510-81150880

传真 (Fax): 0086-510-81150880

Email: Info@sthans.com.cn Website: <http://www.sthans.com>

无锡市圣汉斯气动阀门执行器制造有限公司

WUXI ST.HANS PNEUMATIC VALVE ACTUATORS MAKER CO.,LTD.

业向中国的转移，无锡圣汉斯公司应运而生
经过二十多年艰苦奋斗，圣汉斯以“专业专
，不断壮大，员工人数超200人，占地面积
拥有全球先进的生产车间，执行标准化生
力逐步提升，圣汉斯涵盖三大产品板块：气
服务。因为专注所以专业，因为专业所以卓
行器制造行业的领导者。

nd of global manufacturing transferring to
ed,then ST.HANS' s first actuator was
e new factory covers 30000square meters
output of actuators is 350000. ST.HANS
rocessing equipments. We own high-accu-
ing machines and custom machines.Leadng
essionalism ST.HANS Commits to being a



DEVELOPMENT 发展历程

- 01 专业的设计开发
Professional design and development
- 02 优质的原材料
High-quality original material
- 03 高精度加工
High precision machining
- 04 严格质量管控
Strict quality control
- 05 第三方权威认证
Third Party Certification



因为专注 所以专业
Absorbed, Professional

因为专业 所以卓越
Professional, Excellent



专注 专业 卓越

The Global Provider of Actuators

打造全球执行器及阀门附件专业供应商

20 世纪 90 年代初，随着世界加工制造业向中国的转移，无锡圣汉斯气动阀门执行器制造有限公司应运而生，诞生了圣汉斯的第一台执行器。

经过二十多年艰苦奋斗，创新发展，圣汉斯取得了今天的成就，成为了最专业，规模最大的执行器生产厂家之一。

公司现有现在三大系列执行器，阿尔法 A 系列不锈钢执行器，阿尔法 B 系列铝合金执行器，阿尔法 C 系列铝合金执行器，Scotch Yoke, HPY, HPL, 离合式手轮机构，阀位反馈装置，过滤减压阀等阀门控制附件。现有 Ø32~Ø800 近 20 多个规格，扭矩从 5Nm~100000Nm 都有覆盖。

公司于 2010 年初乔迁进入江南第一古镇梅村工业园区，新工厂投资 5000 万人民币。公司现有员工 200 人，工厂占地面积 2 万 5 千平方米，年产 25 万台执行器，销售过 2 亿人民币。

公司本着“专注，专业；专业，卓越”的核心理念，竭诚为新老客户提供专注的服务，更专业的技术，更卓越的产品。

In the early 1990's, coming with the trend of global manufacturing transferring to China, Wuxi ST.HANS was established, then ST.HANS' s first actuator was born.

With ten-years of hardwork and innovation, ST.HANS has achieved in becoming one of the most professional and biggest actuator manufacturers in China.

ST.HANS supplies three series of actuators, that is, Alpha A series stainless steel actuator, Alpha B series aluminum alloy actuator and Alpha C series aluminum alloy actuator. Additionally ST.HANS supplies valve control accessories such as manual override, valve position feedback device, air pressure regulator-filter, etc. Actuator ranges Ø32~Ø800, torque 5Nm~ 100000Nm.

In early 2010, the ST.HANS factory moved to Meicun Industry Park, the oldest town of the South River region. With a RMB50million investment, the new factory covers 25,000 square meters and hires 200 employees. It manufactures 250,000 actuators and sells around \$30million annually.

Leading with its core idea of concentration & professionalism, ST.HANS will serve all its new and regular customers more attentively and professionally with more excellent products.



工欲善其事，必先利其器

Advanced Equipment

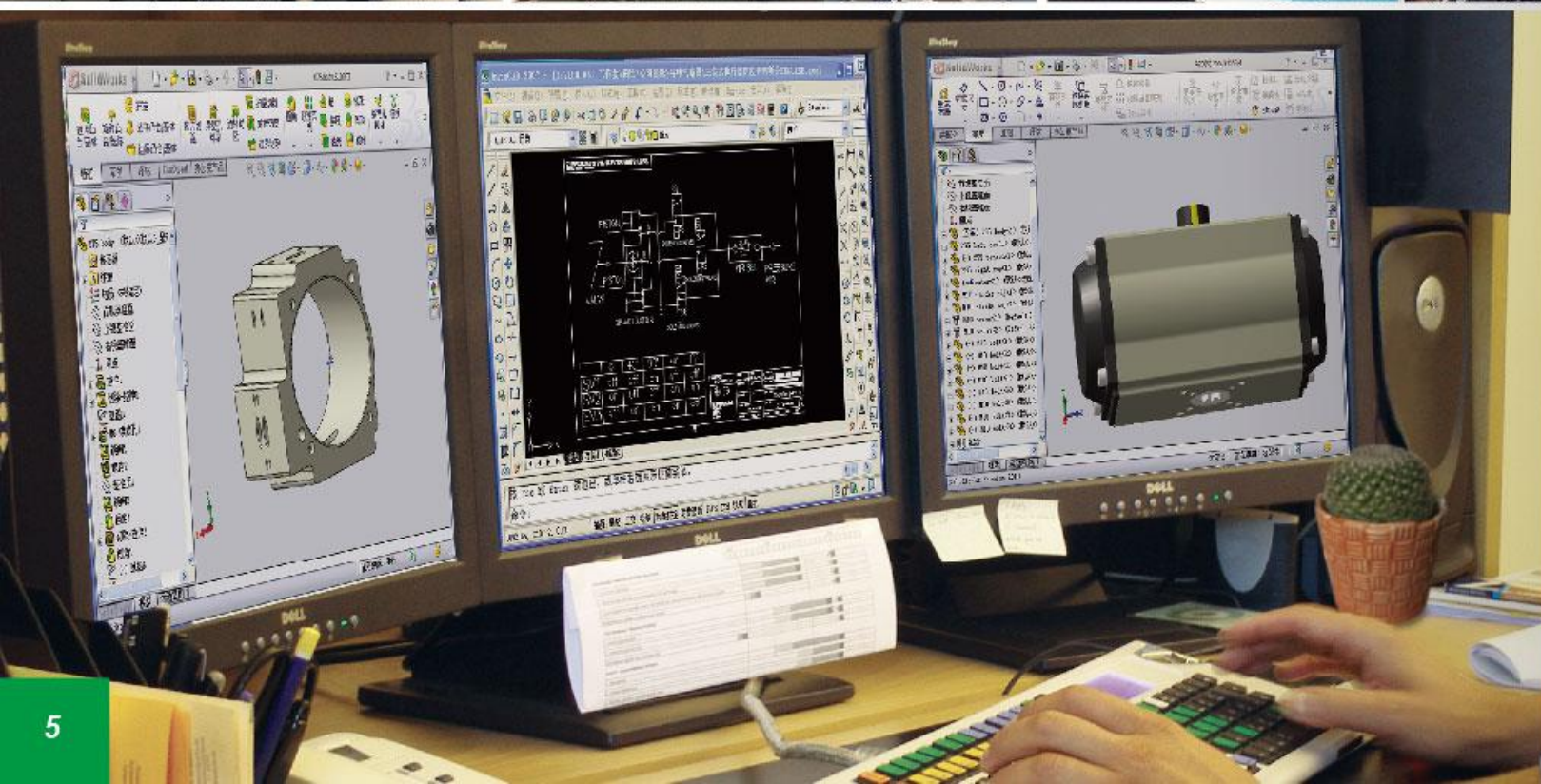
先进的生产设备

圣汉斯人知道，只有好的管理、好的理念、好的人才还是不够的，还要有精良的设备才代表企业拥有强大的生产能力，并确保产品的卓越品质。

我们引进了国际先进水平的生产加工设备和技术人才，拥有高精度的数控机床、大型加工设备和专机设备，为产品质量和企业的发展提供了有力保障。

ST.HANS know that good ideas, management and talent are not enough, refined equipment is equally required to guarantee high production capacity and excellent quality.

Importing global advanced producing and processing equipment and talent, ST.HANS now has high-accuracy CNC machines, large-size processing machines and custom machines, which guarantee the excellent product quality and thus the rapid development of the company.



开拓创新，勇无止境

Elite Team 优秀的团队

圣汉斯视科技研发为企业生命力，深谙是人才团队的智慧成就了圣汉斯的品牌、品质，为使圣汉斯产品更趋完美，不吝重金聘请一批高级技术顾问和制造专业人士、高级工程师，加上生产工人孜孜以求的工作态度，注重每一个生产细节，从而形成了圣汉斯在强势品牌战略中最坚不可摧的堡垒。

圣汉斯不断自主创新，保证了新产品研发的质量和速度，在研发上填补了国内多项空白，为行业发展作出了令人瞩目的贡献。

ST.HANS sees technology and research as its vitality, knowing that it's the wisdom of a talented team that help find ST.HANS' s brand and quality reputation. In order to perfect ST.HANS products, all sorts of senior technology advisers, manufacturing experts and engineers are high-salary employed. Meanwhile, the diligent working attitudes of ST.HANS' s personnel build an indestructible bulwark for ST.HANS in today' s fierce brand competition.

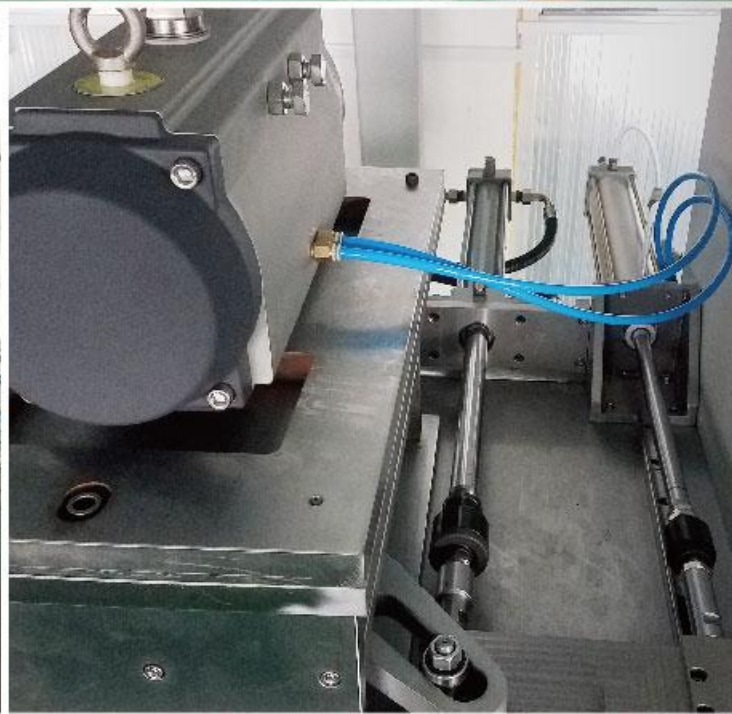
ST.HANS' s continuous innovation guarantee' s its high researching speed and quality of new products, which fill several technology gaps in China, and make a great contribution to the development of national industry.



Torque Test



Test actuator life with load (simulating valve operation)



Tightness Test



注重细节，精益求精

Quality Assurance

完善的检测手段

圣汉斯一直坚持严格控制每一个环节、每一道工序，从设计研发到生产作业各个环节的质量状况。我们的检测系统流程从设计、选材、制造、组装到运行，每个环节都要经历苛刻的检测程序，将精度控制到最严密，将产品品质控制到最优异，对每一细微之处的精益求精，都控制到最完美，让客户在使用的同时，深切感受到圣汉斯严谨务实的品质宗旨.....

ST.HANS insists on strict detection on every step of the process from researching to producing. Its detecting system works from design, material selection, manufacture, assembling to machine operating. Every step should withstand the severe testing program to guarantee the highest accuracy and excellent quality. We keep perfecting every detail just to ensure our customers knowledge of ST.HANS' s precise and pragmatic attitude...

结构 Construction

指示器 Indicator

NAMUR 标准指示器便于安装位置开关、定位器等附件。
Position indicator with NAMUR is convenient for mounting accessories such as Limit Switch box, Positioner and so on.

输出轴 Pinion

镀镍合金钢、高精度一体式输出轴同时符合 NAMUR、ISO5211、DIN3337 标准。可根据客户要求定制尺寸和不锈钢材料。

The pinion is high-precision and integrative, made from nickelled-alloy steel, full conform to the latest standards of ISO5211, DIN3337, NAMUR. The dimensions can be customized and the stainless steel is available.

缸体 Actuator Body

ASTM6005 压铸铝合金缸体可以采用硬质氧化、环氧树脂喷涂（根据要求喷涂蓝色、橙色、黄色等）、PTFE 涂层或镀镍满足不同要求。

According to different requirements, the extruded aluminum alloy body can be treated with hard anodizing, epoxy coating, PTFE or nickel plated.

端盖 End caps

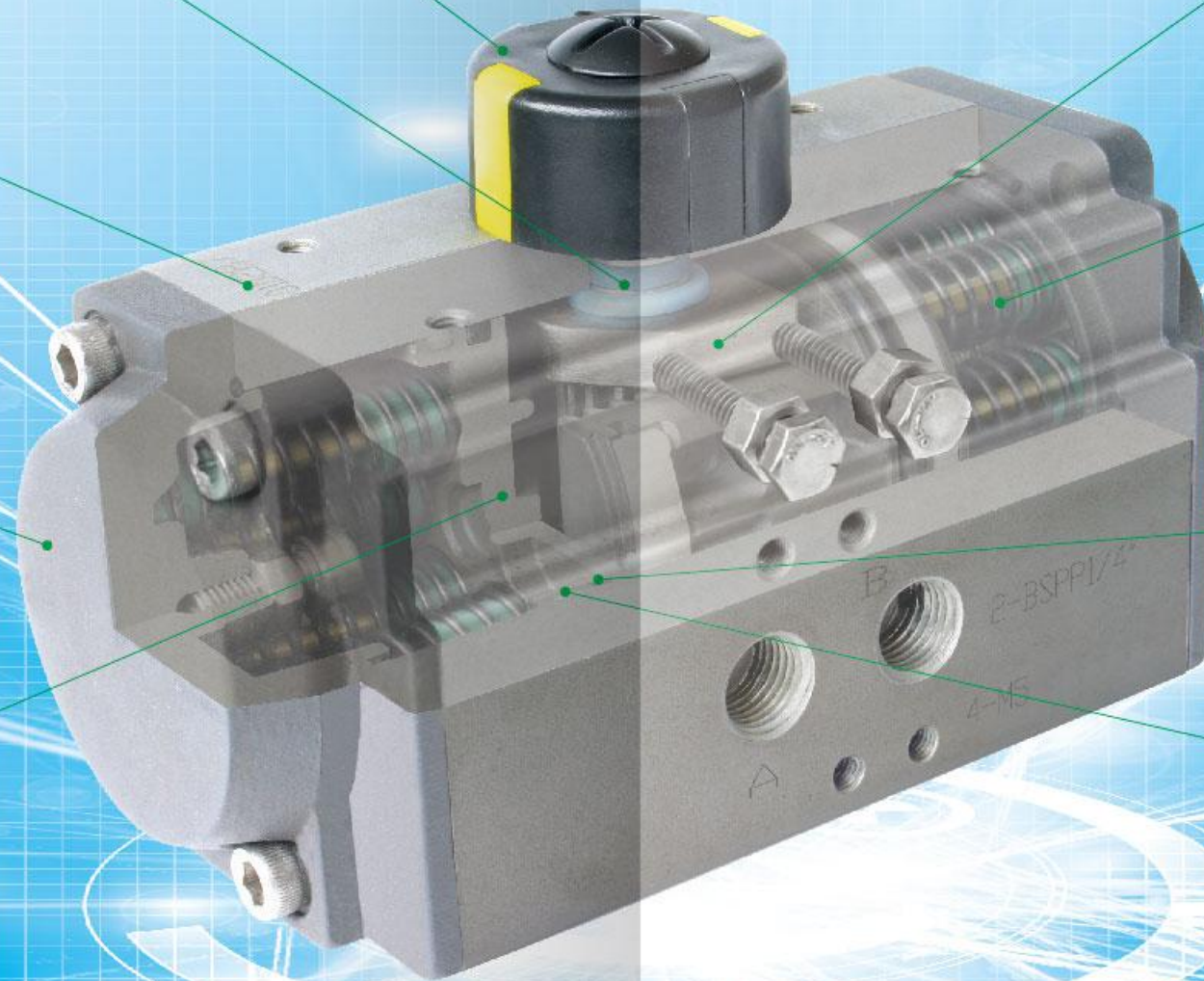
压铸铝合金表面金属粉末喷涂各种颜色、PTFE 涂层或镀镍处理。

Die-casting aluminum alloy end caps with epoxy coating in different colors, PTFE or nickel plated.

活塞 Pistons

双活塞齿条、采用铸铝硬质氧化或者铸钢镀锌处理，安装位置对称、运作迅速、使用寿命长，简单的颠倒活塞可以改变旋转方向。

The twin rack pistons are made from Die-casting aluminum treated with Hard anodized or made from Cast steel with galvanization. Symmetric mounting position, long cycle life and fast operation, reversing rotation by simply inverting the pistons.



行程调节 Travel adjustment

两个独立的行程调节螺钉可以进行方便、精确 $\pm 5^\circ$ 的调节开、关位置。

The two independent external travel stop adjustment bolts can adjust $\pm 5^\circ$ at both open and close directions easily and precisely.

高性能弹簧 High performance springs

采用优质材料、涂层处理，预压装配。具有较强的抗腐蚀性和使用寿命。能够安全、简单的拆卸单作用执行器，通过改变弹簧数量满足不同的力矩输出范围。

Preloaded coating springs are made from the high quality material for resistant to corrosion and longer service life, which can be demounted safely and conveniently to satisfy different requirements of torque by changing quantity of springs.

轴承、导板 Bearings & Guides

采用低摩擦、长寿命复合材料，避免了金属与金属的直接接触，维修更换简单方便。

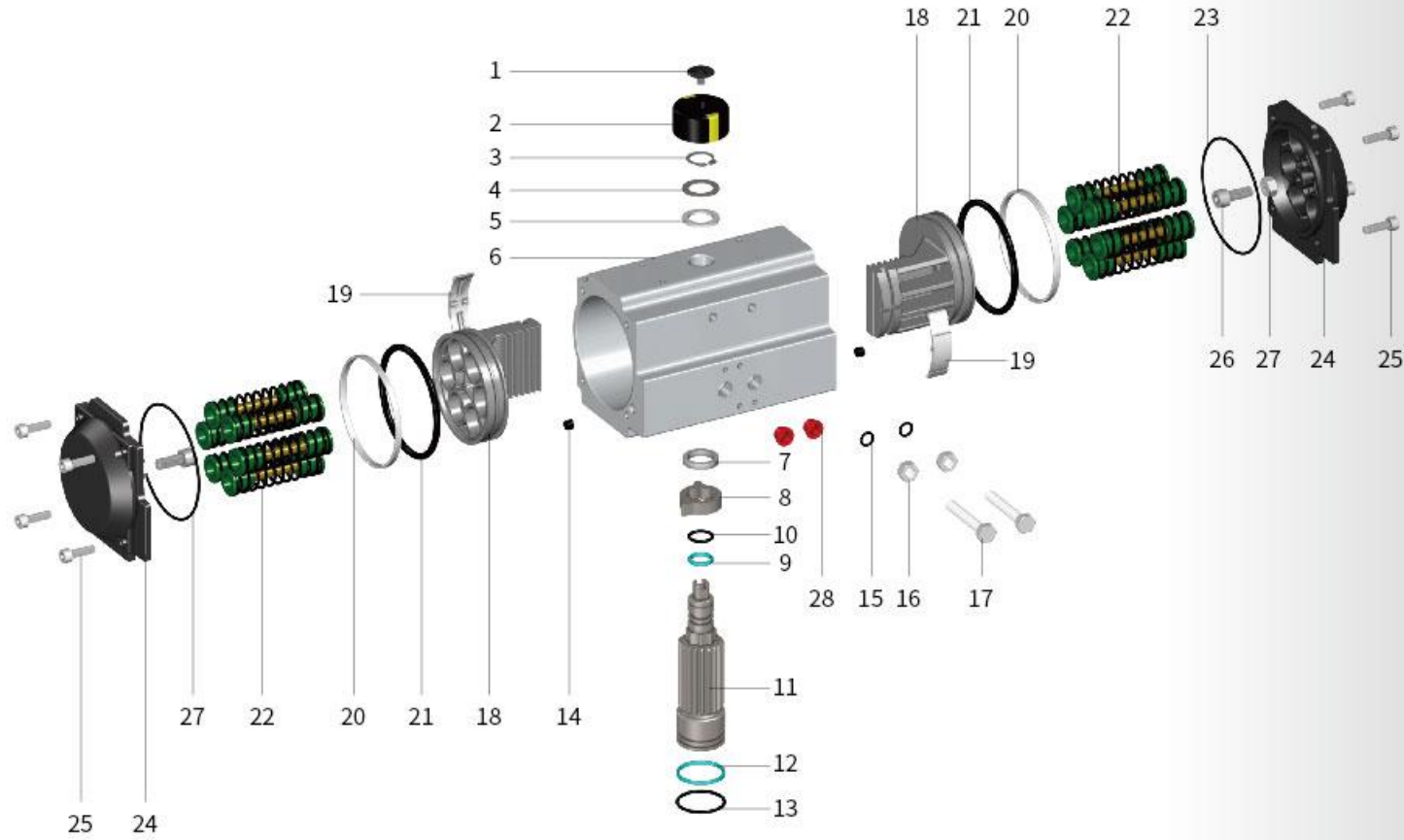
Made from low friction, long-life compound material, to avoid the direct contact between metals. The maintenance and replacement are easy and convenient.

O-rings 密封

在常温工作条件下使用丁腈橡胶，在高温或低温时采用氢化丁腈橡胶或硅橡胶。

NBR O-rings provide trouble free operation at standard temperature. FKM and L-NBR O-rings for high and low temperature ranges.

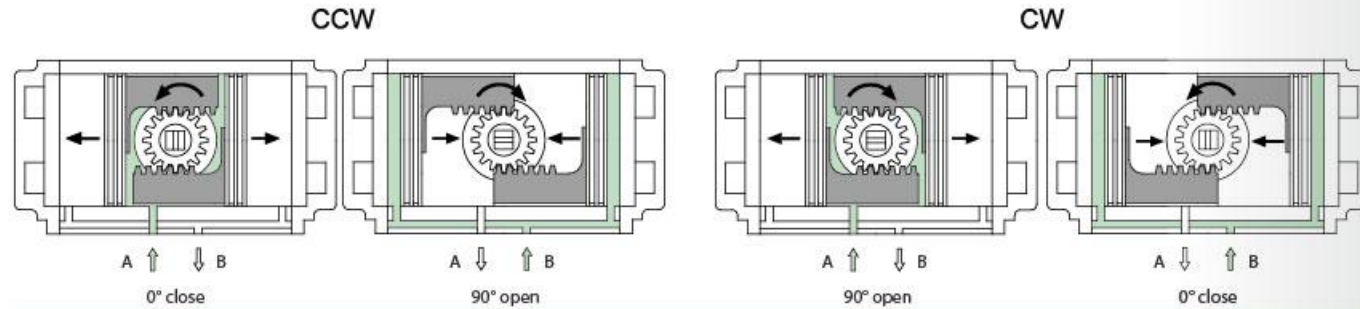
零件和材料 Parts and Material



序号 No.	名称 Description	数量 Qty.	材料 Standard Material	防腐处理 Protection	可选材料 Optional Material
1	Indicator screw 指示器螺钉	1	Plastic 塑料		
2	Indicator 指示器	1	Plastic 塑料		
3	Spring clip 卡簧	1	Stainless steel 不锈钢		
4	Thrust washer 垫圈	1	Stainless steel 不锈钢		
5	Outside washer 外垫片	1	Engineering plastics 工程塑料		
6	Body 缸体	1	Extruded aluminum alloy 铸铝	Hard anodized etc 硬质氧化等	
7	Inside washer 内垫片	1	Engineering plastics 工程塑料		
8	Cam 凸轮	1	Alloy steel 合金钢		
9	Bearing (Pinion top) 上轴轴承	1	Engineering plastics 工程塑料		
10	O-ring (Pinion top) 上轴O型圈	1	NBR 丁腈橡胶		Viton / HNBR 氟橡胶/氢化丁腈橡胶
11	Pinion 齿轴	1	Alloy steel 合金钢	Nickel plated 镀镍	Stainless steel 不锈钢
12	Bearing (Pinion bottom) 下轴轴承	1	Engineering plastics 工程塑料		
13	O-ring (Pinion bottom) 下轴O型圈	1	NBR 丁腈橡胶		Viton / HNBR 氟橡胶/氢化丁腈橡胶
14	Plug 堵头	2	NBR 丁腈橡胶		Viton / HNBR 氟橡胶/氢化丁腈橡胶
15	O-ring (Adjust screw) 调节螺钉O型圈	2	NBR 丁腈橡胶		Viton / HNBR 氟橡胶/氢化丁腈橡胶
16	Nut (Adjust screw) 调节螺钉螺母	2	Stainless steel 不锈钢		
17	Adjust screw 调节螺栓	2	Stainless steel 不锈钢		
18	Piston 活塞	2	Cast aluminum / Casting 铸铝/铸钢	Anodized 氧化/镀锌	Stainless steel 不锈钢
19	Guide (Piston) 活塞导板	2	Engineering plastics 工程塑料		
20	Bearing (Piston) 活塞轴承	2	Engineering plastics 工程塑料		
21	O-ring (Piston) 活塞O型圈	2	NBR 丁腈橡胶		Viton / HNBR 氟橡胶/氢化丁腈橡胶
22	Spring 弹簧	0-12	Piano wire 琴钢丝	Electrophoretic paint 浸漆	
23	O-ring (End cap) 端盖O型圈	2	NBR 丁腈橡胶		Viton / HNBR 氟橡胶/氢化丁腈橡胶
24	End cap 端盖	2	Cast aluminum 铸铝	Powder polyester painted etc 粉末喷涂等	
25	Cap screw 端盖螺栓	8	Stainless steel 不锈钢		
26	Stop screw 限位螺栓	2	Stainless steel 不锈钢		
27	Nut (Stop screw) 限位螺母	2	Stainless steel 不锈钢		
28	Dustproof plug 防尘塞	2	Plastic 塑料		

工作原理 Operating Principle

双作用执行器 Double Acting Actuators



A口进气, 压缩空气推动活塞向外运动, 使执行器输出轴逆时针旋转($0^{\circ} \rightarrow 90^{\circ}$), B口排气。

B口进气, 压缩空气推动活塞向内运动, 使执行器输出轴顺时针旋转($90^{\circ} \rightarrow 0^{\circ}$), A口排气。

Air to Port A forces the pistons outwards, causing the drive shaft to turn counterclockwise while the air is being exhausted from Port B.

Air to Port B forces the pistons inwards, causing the drive shaft to turn clockwise while the air is being exhausted from Port A.

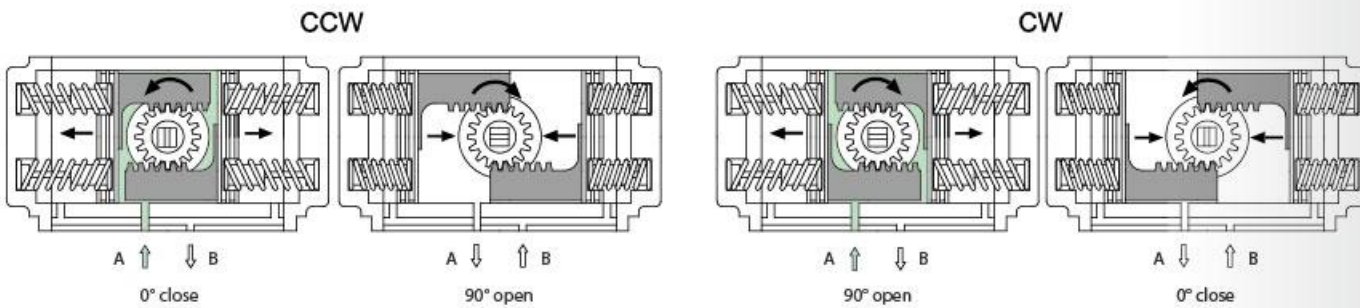
A口进气, 压缩空气推动活塞向外运动, 使执行器输出轴顺时针旋转($90^{\circ} \rightarrow 0^{\circ}$), B口排气。

B口进气, 压缩空气推动活塞向内运动, 使执行器输出轴逆时针旋转($0^{\circ} \rightarrow 90^{\circ}$), A口排气。

Air to Port A forces the pistons outwards, causing the drive shaft to turn clockwise while the air is being exhausted from Port B.

Air to Port B forces the pistons inwards, causing the drive shaft to turn counterclockwise while the air is being exhausted from Port A.

单作用执行器 Spring Return Actuators



A口进气, 压缩空气克服弹簧力, 推动活塞向外运动, 执行器输出轴逆时针转动($0^{\circ} \rightarrow 90^{\circ}$), B口排气;

执行器失气, 活塞在弹簧力的作用下向内运动, 执行器输出轴顺时针转动($90^{\circ} \rightarrow 0^{\circ}$), A口排气。

Air to port A forces the pistons outwards, causing the springs to compress. The drive shaft turns counterclockwise while air is being exhausted from port B.

Loss of air pressure on port A, the stored energy in the springs forces the pistons inwards. The drive shaft turns clockwise while air is being exhausted from port A.

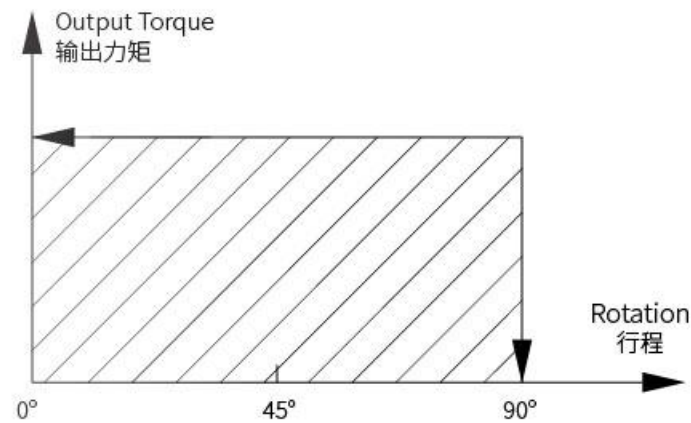
A口进气, 压缩空气克服弹簧力, 推动活塞向外运动, 执行器输出轴顺时针转动($90^{\circ} \rightarrow 0^{\circ}$), B口排气;

执行器失气, 活塞在弹簧力的作用下向内运动, 执行器输出轴逆时针转动($0^{\circ} \rightarrow 90^{\circ}$), A口排气。

Air to port A forces the pistons outwards, causing the springs to compress. The drive shaft turns clockwise while air is being exhausted from port B.

Loss of air pressure on port A, the stored energy in the springs forces the pistons inwards. The drive shaft turns counterclockwise while air is being exhausted from port A.

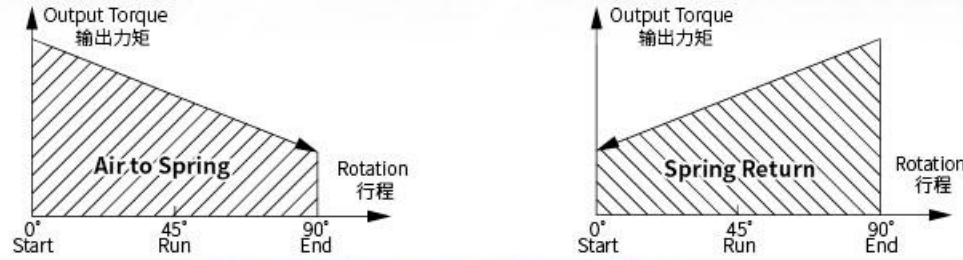
双作用输出力矩 Output Torque of Double Acting Actuators



输出扭矩表 Torque Output (Nm)

型号 Model	Cylinder Dia.	气源压力 Air supply pressure (Unit: bar)									
		2	2.5	3	4	4.5	5	5.5	6	7	8
RT007DA	Ø32	3	4	5	6	7	8	8	9	11	12
RT012DA	Ø40	5	6	7	10	11	12	13	14	17	19
RT020DA	Ø52	8	10	12	16	18	20	22	24	28	32
RT035DA	Ø63	15	18	22	29	33	36	40	44	51	58
RT050DA	Ø75	20	25	30	40	45	50	55	60	70	80
RT075DA	Ø83	31	39	47	63	70	78	86	94	110	125
RT110DA	Ø92	45	56	68	90	102	113	124	135	158	181
RT160DA	Ø105	66	83	99	132	149	165	182	198	231	264
RT255DA	Ø125	100	125	150	200	226	251	276	301	351	401
RT435DA	Ø140	171	214	256	342	385	427	470	513	598	684
RT665DA	Ø160	266	332	399	532	598	665	731	798	931	1064
RT1000DA	Ø190	426	532	638	851	958	1064	1170	1277	1490	1702
RT1200DA	Ø210	532	665	798	1064	1197	1330	1463	1596	1862	2128
RT1800DA	Ø240	769	962	1154	1539	1731	1924	2116	2308	2693	3078
RT2700DA	Ø270	1170	1462	1754	2339	2632	2924	3216	3509	4094	4679
RT3800DA	Ø300	1526	1908	2289	3052	3434	3815	4197	4578	5341	6104
RT5700DA	Ø350	2285	2856	3427	4570	5141	5712	6283	6854	7997	9139
RT8000DA	Ø400	3256	4070	4884	6512	7326	8140	8954	9768	11396	13024

单作用输出力矩 Output Torque of Spring Return Actuators



型号 Model		输出扭矩 Output torque of air to springs (Nm)																Springs' output		
气压 Air Pressure		2.5 BAR		3 BAR		4 BAR		5 BAR		6 BAR		7 BAR		8 BAR		Springs' output				
型号 Model	Cylinder Dia.	Spring Qty	0° Start	90° End	0° Start	90° End	0° Start	90° End	0° Start	90° End	0° Start	90° End	0° Start	90° End	0° Start	90° End	90° Start	0° End		
RT020SR	Ø52	K5	5.7	3.8	7.6	5.7												6.2	4.3	
		K6	4.9	2.5	6.9	4.5	10.9	8.5										7.4	5.0	
		K7	4.0	1.3	6.0	3.3	9.8	7.3	14.0	10.4								8.6	5.9	
		K8			5.2	2.0	9.2	6.0	13.2	9.1	17.2	14.1							9.9	6.7
		K9			4.3	0.8	8.3	4.8	12.3	7.9	16.3	12.8	20.3	16.8					11.1	7.6
		K10					7.4	3.6	11.5	6.7	15.5	11.6	19.5	15.6					12.4	8.5
		K11					6.6	2.3	10.6	5.4	14.6	10.4	18.6	14.3	22.6	18.3			13.6	9.3
		K12							9.7	4.2	13.8	9.1	17.8	12.2	21.8	17.1			14.8	10.2
		K5	11.4	7.7	15.0	11.4	22.3	18.7											10.4	6.8
		K6	10.1	5.7	13.6	9.3	20.9	16.6	28.3	23.9									12.5	8.2
		K7	8.6	3.6	12.5	7.2	19.5	14.5	26.8	21.9									14.6	9.6
		K8			10.9	5.1	18.2	12.4	25.5	19.8	32.8	27.0	40.1	34.3					16.7	10.9
K9					16.8	10.4	24.1	17.7	31.4	24.9	38.7	32.2					18.8	12.3		
K10						14	8.2	22.8	15.6	30.0	22.8	37.3	30.1	44.7	37.4		20.9	13.7		
K11						21.5	13.5	28.7	20.7	36.0	28.0	43.3	35.3	51.2	43.3		22.9	15.0		
K12						20.0	11.4	27.3	18.6	34.6	25.9	41.9	33.3	51.2	43.3		25.0	16.4		
RT035SR	Ø63	K5	14.5	10.6	19.4	15.5	29.5	25.7										14.5	10.5	
		K6	12.4	7.6	17.3	12.6	27.4	22.7	37.5	32.8								17.4	12.7	
		K7	10.4	4.8	15.2	9.7	25.3	19.9	35.4	29.9								20.3	14.8	
		K8			13.1	6.8	23.1	16.9	33.3	27.0	43.2	37.0	53.3	47.0					23.2	16.9
		K9					21.0	14.1	31.2	24.1	41.1	34.1	51.2	44.2					26.1	19.0
		K10					19.0	11.1	28.8	21.2	39.0	31.2	49.1	41.2	59.1	51.2			29.0	21.1
		K11					27.0	18.3	37.0	28.3	47.0	38.4	57.0	48.4	71.0	62.4			31.9	23.2
		K12					24.9	15.4	34.9	25.4	44.9	35.4	54.9	45.4	71.0	62.4			34.7	25.3
		K5	23.3	16.1	31.1	24.0	46.8	39.7											23.0	15.8
		K6	20.1	11.5	28.0	19.3	43.7	35.1	59.4	50.7									27.6	19.0
		K7	17.0	6.9	24.8	14.8	40.5	30.5	56.2	46.2									32.2	22.1
		K8			21.7	10.1	37.4	25.8	53.1	41.5	68.8	57.2	84.5	72.9					36.8	25.3
K9					34.2	21.3	49.9	37.0	65.6	52.6	81.2	68.3					41.4	28.5		
K10					31.0	16.6	46.7	32.3	62.4	48.0	78.1	63.7	93.8	79.3			46.0	31.6		
K11					43.6	27.7	59.3	43.4	75.0	59.1	90.6	74.8	111.8	95.3			50.6	34.8		
K12					40.4	23.2	56.1	38.9	71.7	54.5	87.4	70.2	111.8	95.3			55.2	38.0		
RT050SR	Ø75	K5	33.1	22.0	44.2	33.2	66.8	55.9										34.4	23.3	
		K6	28.4	15.2	39.6	26.4	62.2	49.0	84.8	71.6								41.2	28.0	
		K7	23.8	8.2	34.9	19.4	57.5	42.1	80.2	64.7								48.1	32.7	
		K8			31.3	12.6	52.9	35.2	75.5	57.9	98.1	80.5	120.7	103.0					55.0	37.3
		K9					48.2	28.4	70.9	51.0	93.5	73.6	116.0	96.1					61.9	42.0
		K10					43.6	21.5	66.2	44.1	88.8	66.7	111.3	89.2	134.0	111.8			68.7	46.7
		K11					61.5	37.2	84.1	59.9	106.6	82.4	129.2	105.0	151.8	129.2			75.6	51.4
		K12					56.8	30.4	79.4	53.0	101.9	75.5	124.5	98.1	151.8	129.2			82.5	56.0
		K5	51.0	33.4	67.5	49.9	100.6	83.0											49.2	31.6
		K6	44.7	23.5	61.1	40.0	94.2	73.2	127.3	106.2									59.1	38.0
		K7	38.4	13.7	54.9	30.3	87.9	63.4	121.0	96.4									68.9	44.3
		K8			48.5	20.4	81.6	53.5	114.7	86.5	147.7	119.6	180.8	152.7					78.7	50.6
K9					75.3	43.7	108.4	76.8	141.5	109.8	174.5	142.9					88.6	56.9		
K10					68.9	33.4	102.0	66.5	135.1	99.6	168.2	132.6	201.2	165.7			98.4	63.3		
K11					95.7	57.0	128.7	90.1	161.8	123.1	194.8	156.2	224.2	188.6			108.3	69.6		
K12					89.4	47.5	122.5	80.6	155.5	113.6	188.6	146.7	224.2	188.6			118.1	75.9		
RT110SR	Ø92	K5	73	47	98	72	148	122										79	52	
		K6	63	31	88	56	138	107	188	157								94	63	
		K7	52	15	77	40	127	90	178	141								110	73	
		K8			67	25	117	75	167	125	217	176	268	226					125	84
		K9					107	59	157	109	207	159	257	210					141	94
		K10					96	44	146	94	196	144	247	194	297	245			157	105
		K11					136	78	186	128	236	178	286	228	374	312			173	115
		K12					125	63	176	113	226	163	276	213	374	312			188	125
		K5	128	85	171	127	256	213											129	86
		K6	111	59	154	102	239	187	325	273									155	103
		K7	94	33	137	76	222	162	308	247									181	120
		K8			120	50	205	136	291	221	376	307	462	392					206	137
K9					187	110	273	196	358	281	444	367					232	155		
K10					170	84	256	169	341	255	427	340	512	426			258	172		
K11					238	143	324	229	409	314	495	400	612	500			284	189		
K12					221	118	307	203	392	289	478	374	612	500			310	206		

Model		输出扭矩 Output torque of air to springs (Nm)																Springs' output		
气压 Air Pressure		2.5 Bar		3 Bar		4 Bar		5 Bar		6 Bar		7 Bar		8 Bar		Springs' output				
Model	Cylinder Dia.	Spring Qty	0° Start	90° End	0° Start	90° End	0° Start	90° End	0° Start	90° End	0° Start	90° End	0° Start	90° End	0° Start	90° End	90° Start	0° End		
RT665SR	Ø160	K5	193	124	259	191	392	324										208	140	
		K6	165	83	232	149	365	282	498	415								250	168	
		K7	137	41	203	107	336	240	469	373								292	196	
		K8			176	66	309	199	442	237	575	465	708	598					333	223
		K9					280	157	413	290	546	423	679	556					375	251
		K10					253	115	386	248	519	381	652	514	785	647			417	279
		K11							358	207	491	340	624	473	757	606			458	307
		K12								330	165	463	298	596	431	729	564		500	335
		K5	332	222	438	329	651	542											309	200
		K6	292	161	398	267	611	480	824											

安装规范 Installation Specification



定位器
Positioner



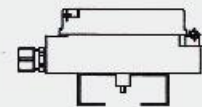
智能定位器
Smart Positioner



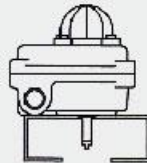
限位开关
Limit Switch Box



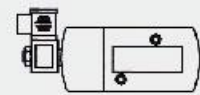
电磁阀
NAMUR Solenoid Valve



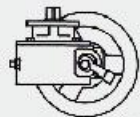
定位器
Positioner



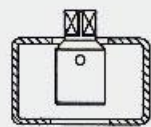
限位开关
Limit Switch Box



电磁阀
Namur Solenoid Valve

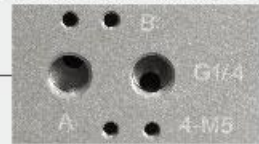


手轮机构
Dec clutchable Gear Box

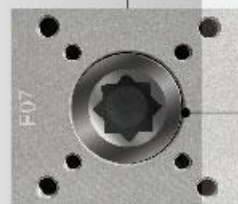
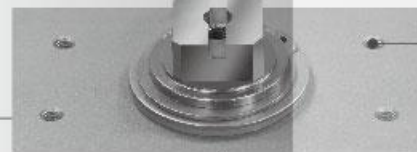


支架
Mounting Kits

NAMUR (VDI/VDE 3845)
for actuator pneumatic controls



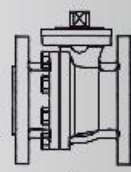
NAMUR (VDI/VDE 3845)
for ancillary attachment



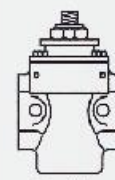
ISO 5211/DIN 3337
for valve assembling



蝶阀
Butterfly Valve



球阀
Ball Valve



旋塞阀
Plug Valve

NAMUR

驱动轴轴头和上部安装孔符合NAMUR标准 (VDI/VDE 3845),可直接安装限位开关、定位器等附件。

The drive shaft top and top mounting connection conform to NAMUR (VDWDE 3845) standard, for direct installation of ancillary attachment like position or limit switch box.

NAMUR

气源接口符合NAMUR标准,可简单方便地安装电磁阀。

Air supply connection is designed in accordance with NAMUR Standard to install solenoid valves.

ISO 5211/DIN 3337

驱动轴底孔和底部安装孔符合ISO 5211/DIN 3337标准,可以直接安装在阀门上,也可以选装离合式手轮或支架。

The drive shaft bottom hole and bottom mounting connection conform to ISO 5211/DIN 337 standard, for direct installation on valves. Dec clutchable gear box or mounting kits as optional.



蝶阀
Butterfly Valve



球阀
Ball Valve



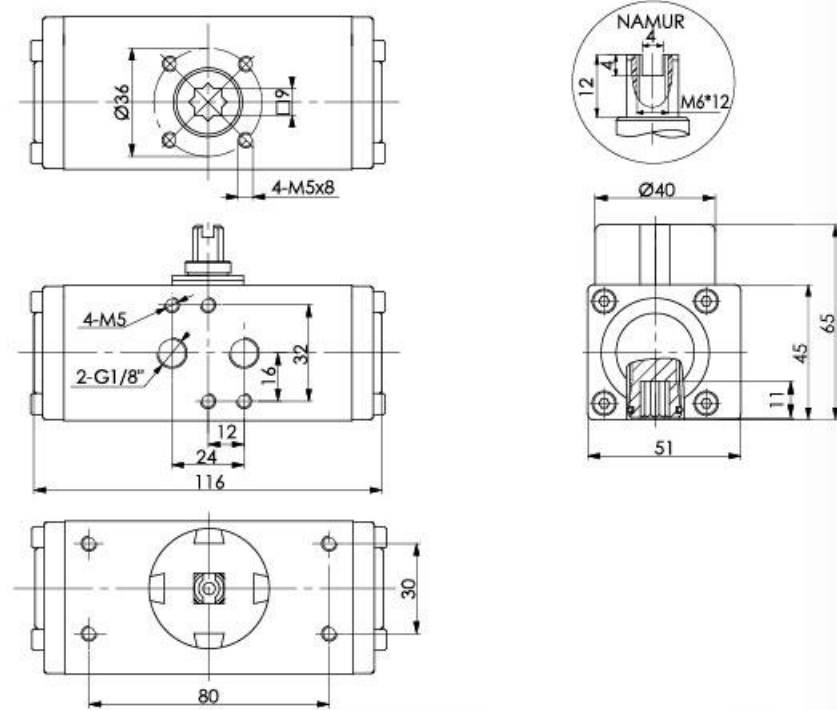
旋塞阀
Plug Valve



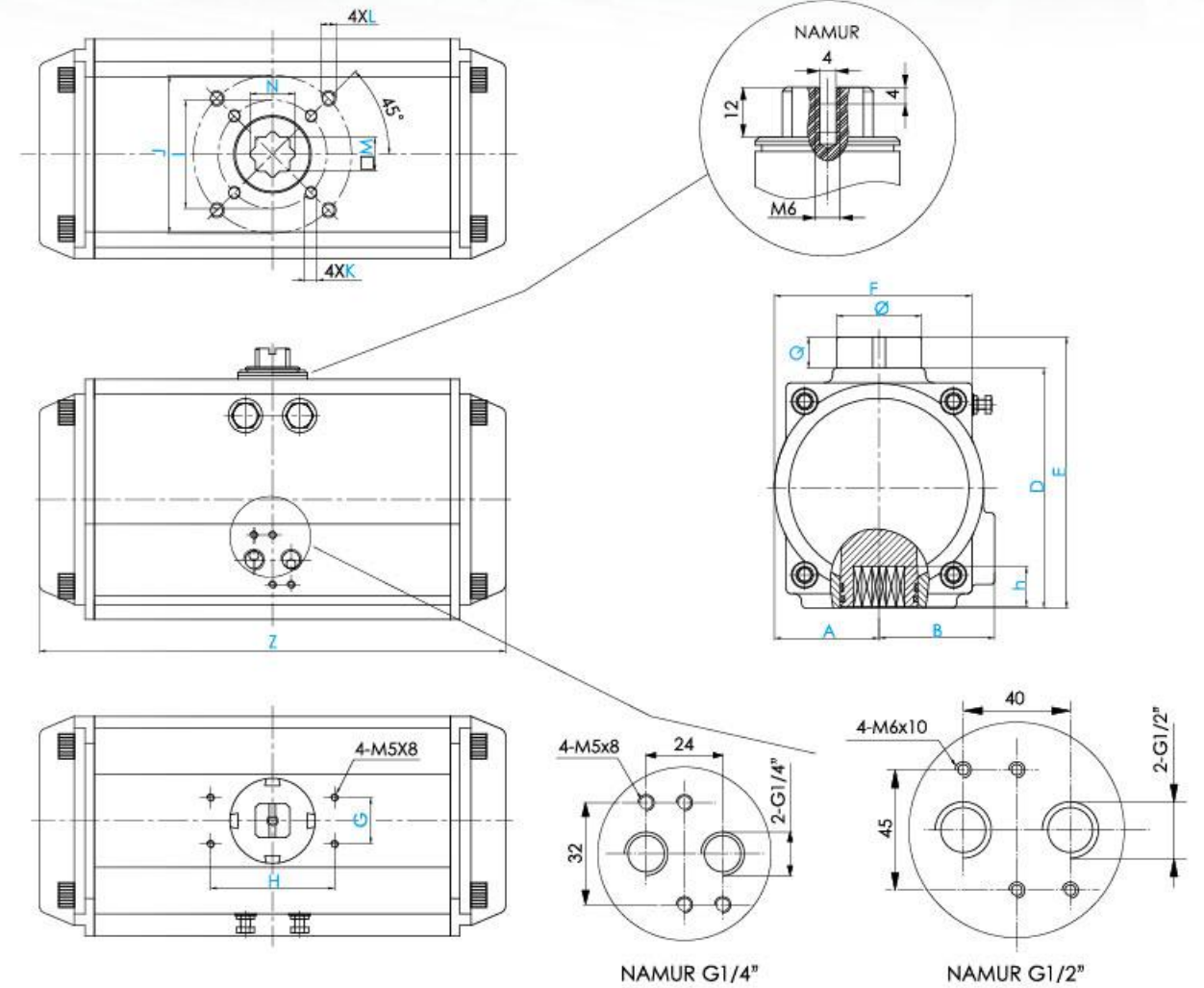
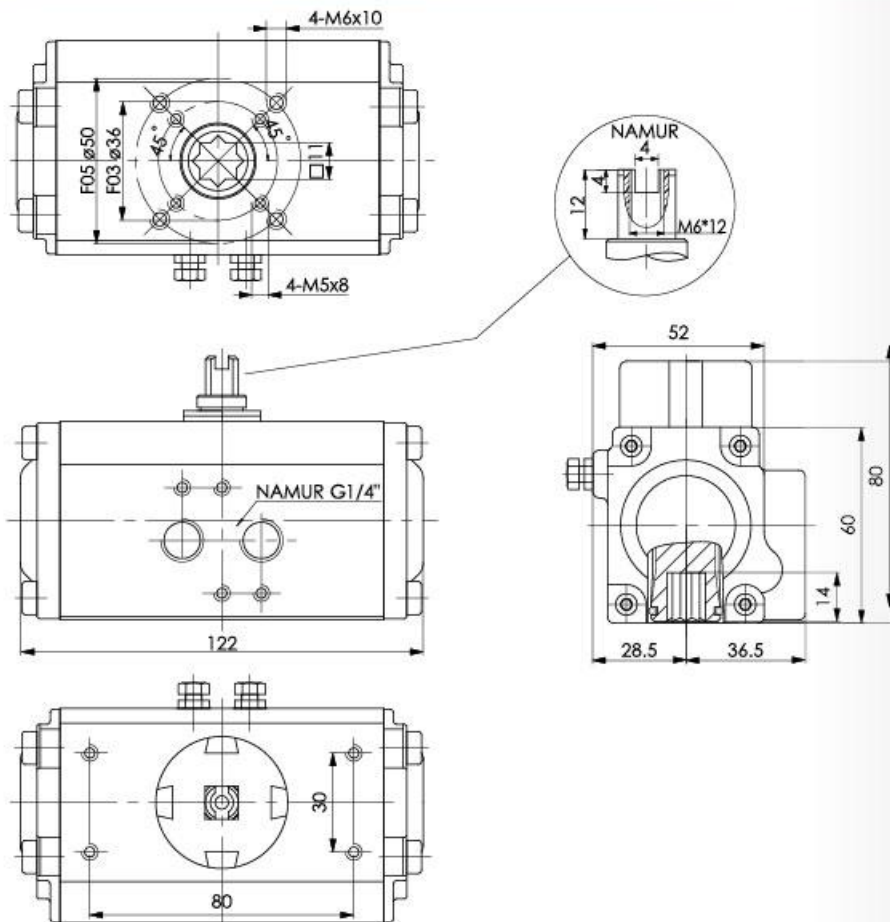
手轮机构
Dec clutchable Gear Box

外形尺寸 Dimension

RT007DA
(Ø32)

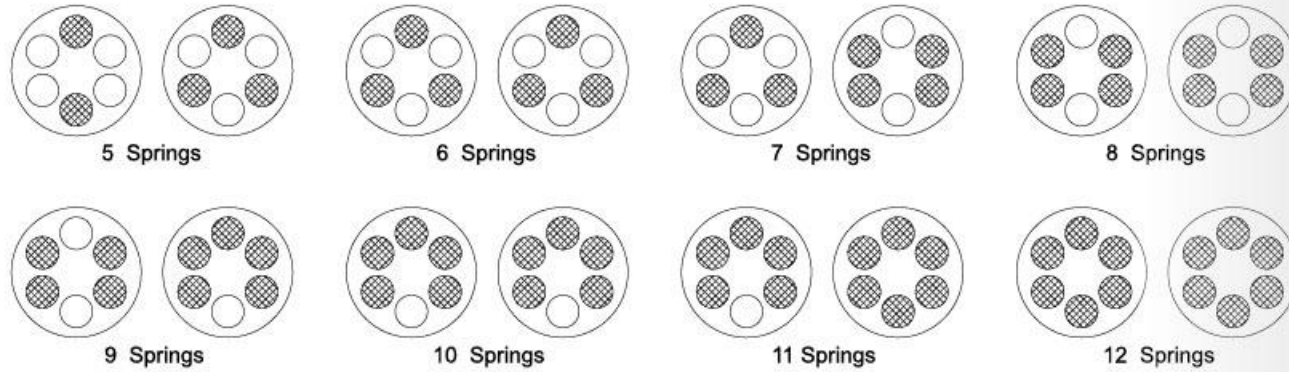


RT012DA
(Ø40)



型号 Model	缸径 Cylinder	A	B	D	E	F	G	H	I	J	K	L	M	N	Q	h	Z	Ø	气源接口 Air Connection
RT020	Ø52	30	41.5	72	92	65	30	80	F03	F05	M5x8	M6x10	11	Ø15.5	20	14	149	Ø40	NAMUR G1/4" (1/4" NPT)
RT035	Ø63	36	47	88	108	72	30	80	F05	F07	M6x10	M8x13	14	Ø19.7	20	18	168	Ø40	
RT050	Ø75	42	53	99.5	119.5	81	30	80	F05	F07	M6x10	M8x13	14	Ø19.7	20	18	184	Ø40	
RT075	Ø83	46	57	109	129	92	30	80	F05	F07	M6x10	M8x13	17	Ø24	20	21	210	Ø40	
RT110	Ø92	50	58.5	116.5	136.5	98	30	80	F05	F07	M6x10	M8x13	17	Ø24	20	21	262	Ø40	
RT160	Ø105	57.5	64	133	153	109.5	30	80	F07	F10	M8x13	M10x16	22	Ø31	20	26	268	Ø40	
RT255	Ø125	67.5	74.5	155	175	127.5	30	80	F07	F10	M8x13	M10x16	22	Ø29.5	20	26	301	Ø55	
RT435	Ø140	75	77	172	192	137.5	30	80	F10	F12	M10x16	M12x20	27	Ø36.7	20	31	394	Ø55	
RT665	Ø160	87	87	197	217	158	30	80	F10	F12	M10x16	M12x20	27	Ø36.7	20	31	458	Ø55	
RT1000	Ø190	103	103	230	260	189	30	130	/	F14		M16x25	36	Ø49.5	30	40	528	Ø80	
RT1200	Ø210	113	113	255	285	210	30	130	/	F14		M16x25	36	Ø49.5	30	40	536	Ø80	
RT1800	Ø240	130	130	289	319	245	30	130	/	F16		M20x25	46	Ø63.6	30	50	606	Ø80	
RT2700	Ø270	147	147	328	358	273	30	130	/	F16		M20x25	46	Ø63.6	30	50	726	Ø80	
RT3800	Ø300	203	203	348	378	290	30	130	F16	Ø215	M20x25	M20x25	46	Ø63.6	30	60	760	Ø80	
RT5700	Ø350	230	230	408	438	336	30	130	F16	F25	M20x25	8-M16x25	55	Ø63.6	30	60	888	Ø80	
RT8000	Ø400	258	258	480	510	360	30	130	F16	F25	M20x25	8-M16x25	55	Ø77.7	30	60	930	Ø80	

单作用执行器弹簧安装形式 Spring mounting form for spring return actuators



重量表 Weight Table (Net Weight)

Unit: KG

Model	RT007	RT012	RT020	RT035	RT050	RT075	RT110	RT160	RT255
Cylinder Dia.	Ø32	Ø40	Ø52	Ø63	Ø75	Ø83	Ø92	Ø105	Ø125
DA	0.70	1.00	1.35	1.95	2.56	3.28	4.58	5.89	8.94
SRK12	-	1.10	1.48	2.12	2.83	3.69	5.35	6.72	10.32

Model	RT435	RT665	RT1000	RT1200	RT1800	RT2700	RT3800	RT5700	RT8000
Cylinder Dia.	Ø140	Ø160	Ø190	Ø210	Ø240	Ø270	Ø300	Ø350	Ø400
DA	13.43	19.96	34.99	46.77	54.16	77.17	106.53	160.07	181.94
SRK12	15.84	23.73	41.93	55.94	67.03	98.29	133.94	209.10	225.46

Note: DA=Double Acting, SRK12=spring return with 12 springs

注:表中单作用的弹簧数量为12

耗气量 Air Consumption

开向体积和关向体积 Air Volume Opening & Closing

Unit: L

Model 型号	Air volume opening 开向体积(升)	Air volume closing 关向体积(升)	Model 型号	Air volume opening 开向体积(升)	Air volume closing 关向体积(升)
RT007	0.04	0.05	RT435	2.5	2.2
RT012	0.08	0.11	RT665	3.7	3.2
RT020	0.12	0.16	RT1000	5.9	5.4
RT035	0.21	0.23	RT1200	7.5	7.5
RT050	0.3	0.34	RT1800	11	9
RT075	0.43	0.47	RT2700	17	14
RT110	0.64	0.73	RT3800	23.8	29.7
RT160	0.95	0.88	RT5700	35.1	46.3
RT255	1.6	1.4	RT8000	52.6	56

耗气量取决于供气压力、开关行程、体积及动作次数, 计算如下:

$$\text{升/分} = \text{气缸体积}(\text{开向体积} + \text{关向体积}) \times \left[\frac{\text{供气压力}(\text{Kpa}) + 101.3}{101.3} \right] \times \text{次数/分钟}$$

Air consumption rest with Air Supply. Air volume and Action cycle times, expressions:

$$\text{L/Min} = \text{Air volume}(\text{Air volume Opening} + \text{Air volume closing}) \times \left[\frac{\text{Air Supply}(\text{Kpa}) + 101.3}{101.3} \right] \times \text{Action cycle times}(\text{/min})$$

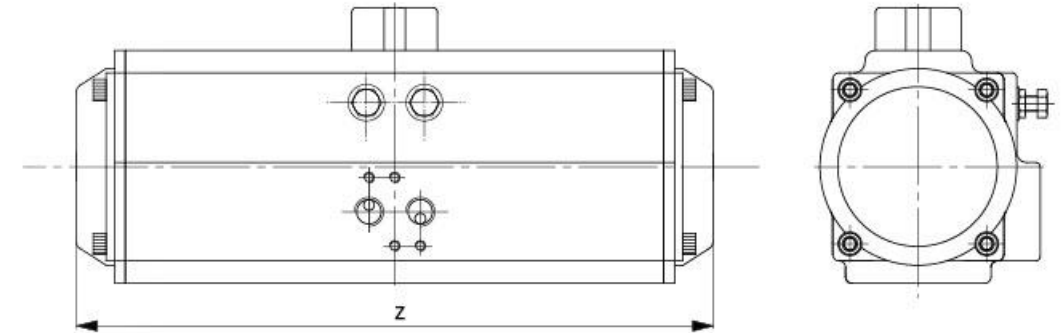
120°, 135°, 180° 双作用执行器 Double Acting Actuator

为满足不同类型阀门及机械自动化的驱动要求, 我司可根据客户要求定制不同行程(例120°、135°、180°等)的气动执行器。We product special strokes actuator(e.g. 120°, 135°, 180°) on requests.

输出扭矩 Output Torque

输出扭矩请参考90°行程气动执行器扭矩表
Please refer to the output torque of 90° actuator

**120°, 135°, 180° 双作用执行器尺寸表
Measurement of 120°, 135°, 180° Double Acting Actuator**



Size	RT020 180°	RT035 180°	RT050 180°	RT075 180°	RT110 180°	RT160 180°	RT255 180°	RT435 180°	RT665 180°	RT1000 180°	RT1200 180°
Z(mm)	213	243	258	298	362	386	429	569	652	756	760

For more information, please contact us.

(The size of 120°, 135° actuator is the same as 180°)

三位式执行器 Three Position Pneumatic Actuator

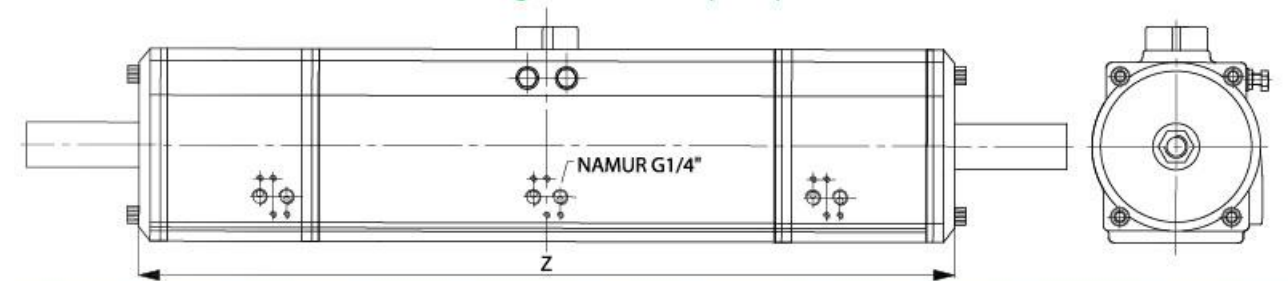
三位式气动执行器是一种特殊规格的执行机构, 提供了0°, 45°, 90°或0°, 90°, 180°的三位式操作方式。中间位置是依靠两个辅助活塞的移动产生的机械制动来实现的。中间位置是可调的。如90°行程的执行器能提供20°, 30°, 50°, 70°等的中间位置。

Three position actuator provide an three position operation mode of 0°, 45°, 90° or 0°, 90°, 180°, The midway position is achieved by a mechanical stop produced by the movement of the 2 auxiliary pistons. The midway position is adjustable. Example: A 90° three position actuator can provide a midway position of 20°, 30°, 40°, 50°, 70° etc.

输出扭矩 Output Torque

输出扭矩请参考90°行程气动执行器扭矩表
Please refer to the output torque of 90° actuator

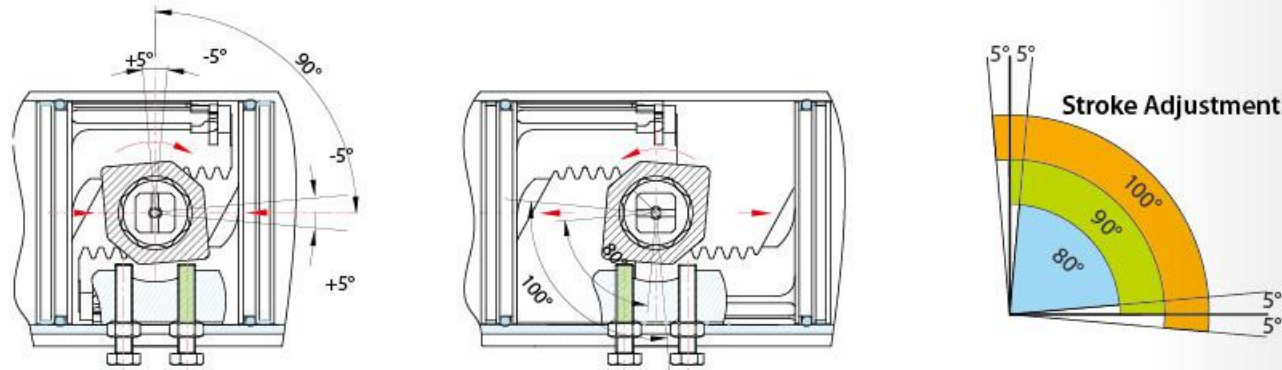
90° 三位式双作用执行器尺寸表 Length of DA-3P(90°)



Size	RT020-3P	RT035-3P	RT050-3P	RT075-3P	RT110-3P	RT160-3P	RT255-3P	RT435-3P	RT665-3P	RT1000-3P	RT1200-3P
Z(mm)	266	303	306	336	394	410	456	570	646	788	788

For more information, please contact us.

行程调节 Travel Adjustment



- Bi-Directional Travel Stops
- Valves are manufactured with acceptable travel tolerance. Sthans standard two way rotation travel stops, provide a minimum rotation of -5 degrees to +5 degrees.
- Optional limiting 100% travel stops.
- Assures positive sealing, correct port alignment and longer valve life.
- Quarter turn valves such as butterflies, metal seated, multi-port and other specific rotation valves require actuators that are capable of compensating for the accumulation of tolerances that lead to valve malfunction and damage.

工作技术条件 Operating conditions

- | | |
|---|--|
| <p>1、工作介质
干燥或润滑的空气或无腐蚀性气体介质中杂质微粒小于30 um。</p> <p>2、气源压力
最小气源压力2.5巴,最大气源压力8巴。</p> <p>3、介质环境温度
标准:-20°C~+80°C
低温:-40°C~+80°C
高温:-20°C~+150°C</p> <p>4、使用场合
室内或室外安装</p> | <p>1. Control medium
Dry or lubricated air, or the non-corrosive gases
The maximum particle diameter must less than 30 um</p> <p>2. Control pressure: 2.5~8Bar</p> <p>3. Ambient temperature
Standard:-20°C~+80°C
Low temperature:-40°C~+80°C
High temperature:-20°C~+150°C</p> <p>4. Application
Either indoor or outdoor</p> |
|---|--|

订购 How to Order

单元 Unit	1	2	3	4	5	6	产品代号 Product code
内容 Content	系列 Series	Model	动作形式 Acting Type	弹簧数量 Spring Qty.	行程 Travel	定制 Custom-made	
举例 Example	αC Aluminum Alloy	020	Spring Return	10 PCS	None	None	RT020 SR K10
代号 Code	RT		SR	K10			

RT αC Aluminum Alloy	007	012	020	DA Double Acting	SR Spring Return	K8 8 PCS	K9 9 PCS	K10 10 PCS	None 90° Rotation	120 120° Rotation	135 135° Rotation	180 180° Rotation	None Standard	FC Failure Close	FO Failure Open	3P Three Position	HC High Cycle	C Customer
----------------------	-----	-----	-----	------------------	------------------	----------	----------	------------	-------------------	-------------------	-------------------	-------------------	---------------	------------------	-----------------	-------------------	---------------	------------

权威认证 Authorized Certification



合作伙伴 Our Customers

